

HYDROLOUNGE PEDICURE CHAIR



USER'S MANUAL

Read carefully the instructions specified in this booklet
before using the pedicure spa



GAMMA & BROSS
Via Mazzini, 62/E
46043 Castiglione delle Stiviere (MANTOVA) - ITALY

THE PROPERTY RIGHTS OF THIS BOOKLET ARE RESERVED. ITS REPRODUCTION
OR TRANSMISSION TO THIRD PARTIES IS FORBIDDEN WITHOUT THE AUTHORISATION OF THE OWNING COMPANY. THE
POWER TO PROTECT ITS RIGHTS IS RESERVED AND OFFENDERS SHALL BE PROSECUTED.

TABLE OF CONTENTS

CHAPTER	SECTION	Page
CHAPTER 1	DESCRIPTION AND MAIN FEATURES	03
1.1	INTRODUCTION	03
1.2	WARRANTY	04
1.3	EXCLUSIONS FROM WARRANTY	04
1.4	HYDROLOUNGE DESCRIPTION:	04
1.5	TECHNICAL DIAGRAMS	06
1.6	TECHNICAL DATA	07
1.7	JET MESSAGE SYSTEM - TECHNICAL DATA	08
1.8	KIT LED SPOT LIGHT RGB – CHROMOTHERAPY (OPTIONAL)	08
1.9	SEAT MESSAGE SYTEM AIR SHIATSU	09
CHAPTER 2	SAFETY STANDARDS AND ACCIDENT PREVENTION	10
2.1.	DANGER LEVELS	10
2.2	SAFE USE	10
2.3	SAFE MAINTENANCE	10
CHAPTER 3	TRANSPORTATION, UNLOADING, MOUNTING AND COMMISSIONING	11
3.1.	EQUIPMENT PACKING, TRANSPORTATION AND UNLOADING	11
3.2.	UNPACKING	11
3.3.	INSTALLATION	11
3.4	CHECKING BEFORE MOUNTING	12
3.5	HYDROLOUNGE PEDICURE CHAIR MOUNTING	12
CHAPTER 4	INSTRUCTIONS FOR USE	15
4.1	WARNINGS BEFORE USE	15
4.2	WARNINGS FOR CLIENT' HEALTH AND SAFETY	15
4.3	USE OF THE HYDROLOUNGE PEDICURE CHAIR	16
4.4	LIST OF PEDICURE SINK ELEMENTS	17
4.5	OPERATION OF THE LED RGB SPOT FOR CHROMOTHERAPY (OPTIONAL COMPONENT)	17
CHAPTER 5	TECHNICAL SPEC SHEETS	19
5.1	ELECTRICAL LAY OUT – EU & OTHER COUNTRIES MARKET	19
5.2	ELECTRICAL LAY OUT – U.S. MARKET ONLY	20
5.3	ELECTRICAL LAY OUT – SHIATSU AIR MASSAGE VERSION	21
5.4	HYDRAULIC LAY OUT	22
CHAPTER 6	CLEANING AND MAINTENANCE	23
6.1	SANITIZING	23
6.2	REGULAR MAINTENANCE	24
6.3	EXTRAORDINARY MAINTENANCE	25
6.4	TECHNICAL SERVICE	25
CHAPTER 7	INSTRUCTIONS FOR DISPOSAL	25
CHAPTER 8	CERTIFICATION OF COMPLIANCE	25-31

CHAPTER 1

DESCRIPTION AND MAIN FEATURES

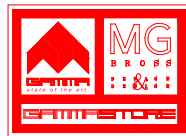
1.1 INTRODUCTION

This booklet contains the necessary instructions for installation, proper use and regular maintenance of **HYDROLOUNGE PEDICURE CHAIR**, manufactured by **GAMMA & BROSS** spa in Castiglione delle Stiviere (Mantova) – Italy.

Here the user will find useful information regarding the safe use and proper maintenance of the **HYDROLOUNGE PEDICURE CHAIR**.



This booklet is an integral part of the product and must be carefully kept in a safe place in order to consult it throughout the equipment service life. Copies of this user's manual are available upon request to:



GAMMA & BROSS
Via Mazzini, 62/E
46043 Castiglione delle Stiviere (MANTOVA) - ITALY

The observance of and compliance with the instructions herein contained ensure the operator's safety and **HYDROLOUNGE PEDICURE CHAIR** correct operation, low running costs and lifetime. It is compulsory to comply with the instructions in this booklet.



GAMMA & BROSS shall not be held responsible for any damages, direct or indirect, caused to people, animals or objects resulting from negligence or non-compliance with the instructions contained herein.

1.2 WARRANTY

GAMMA & BROSS guarantees **HYDROLOUNGE PEDICURE CHAIR** and its accessories for a 12-month period from the purchase date. This warranty is understood as repair or replacement free of charge of those parts which, after a careful examination carried out by the Manufacturer Technical Service, are considered faulty, with the exception of all the electrical parts. Warranty is limited to defects on materials, and it ceases whenever the parts involved are tampered with or dismantled by unauthorised personnel. Responsibilities for direct or indirect damage to people, animals or things caused by failures or malfunctions of the equipment are excluded from the warranty. Expenses for transportation, VAT and others not specified in the supply agreement shall be charged to the buyer. The replacement or repair of warranted materials does not extend the warranty period.

The buyer shall have the right to exert his/her warranty rights only if the warranty terms and conditions specified in the supply agreement have been fulfilled. Whenever the parties do not intend to solve the controversies arising from the supply agreement in an arbitral award or in case a decision is requested to an ordinary Court, only the Court of Mantova shall have territorial jurisdiction.

1.3 EXCLUSIONS FROM WARRANTY

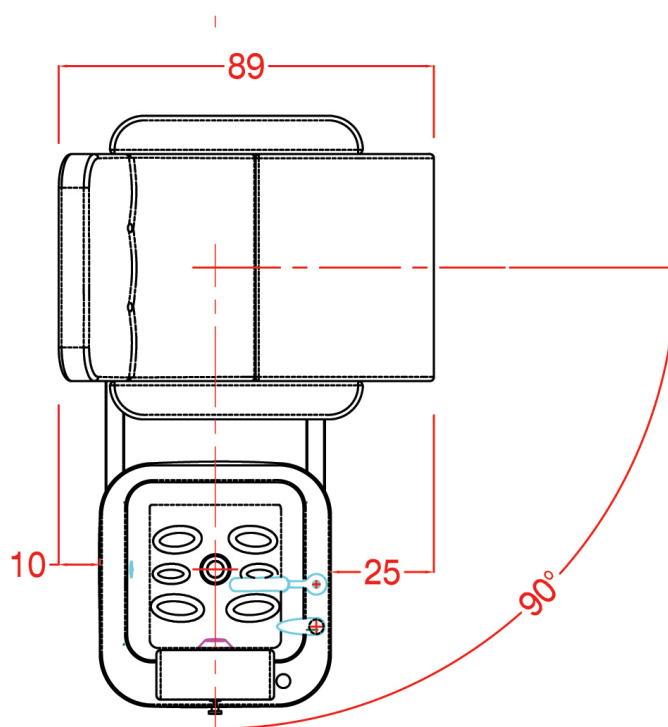
Upon delivery, it is necessary to check that the equipment has not been damaged during transportation and that the set of accessories is complete and in good condition. Claims must be filed within 8 days after the delivery of the **HYDROLOUNGE PEDICURE CHAIR**. Apart from the cases specified in the supply agreement, **the warranty is void when:**

- The malfunctioning is attributable to the operator.
- The instructions in this booklet are not followed.
- The **HYDROLOUNGE PEDICURE CHAIR** has suffered changes after repair operations performed by a third party unauthorised by **GAMMA & BROSS**.

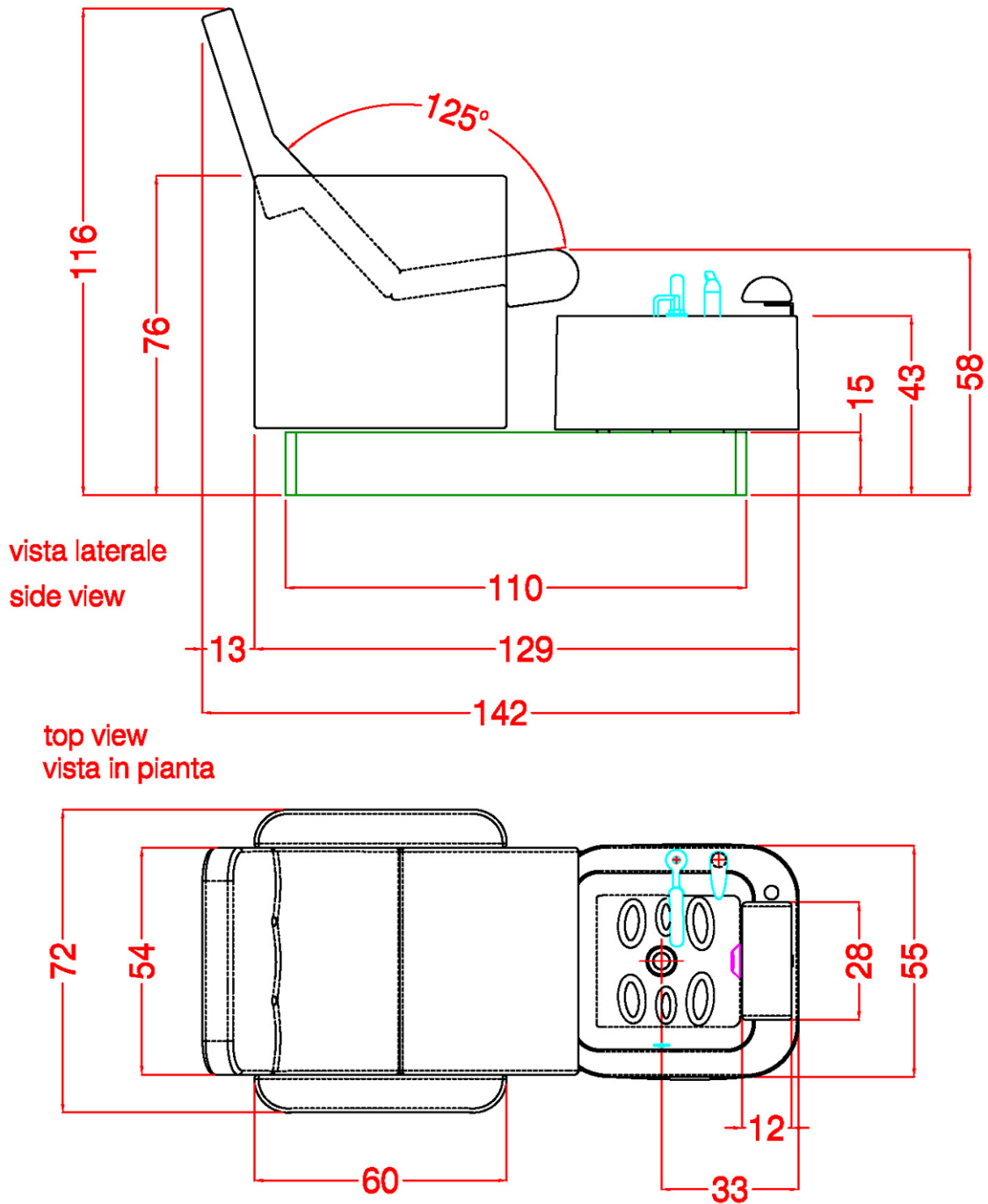
1.4 HYDROLOUNGE DESCRIPTION

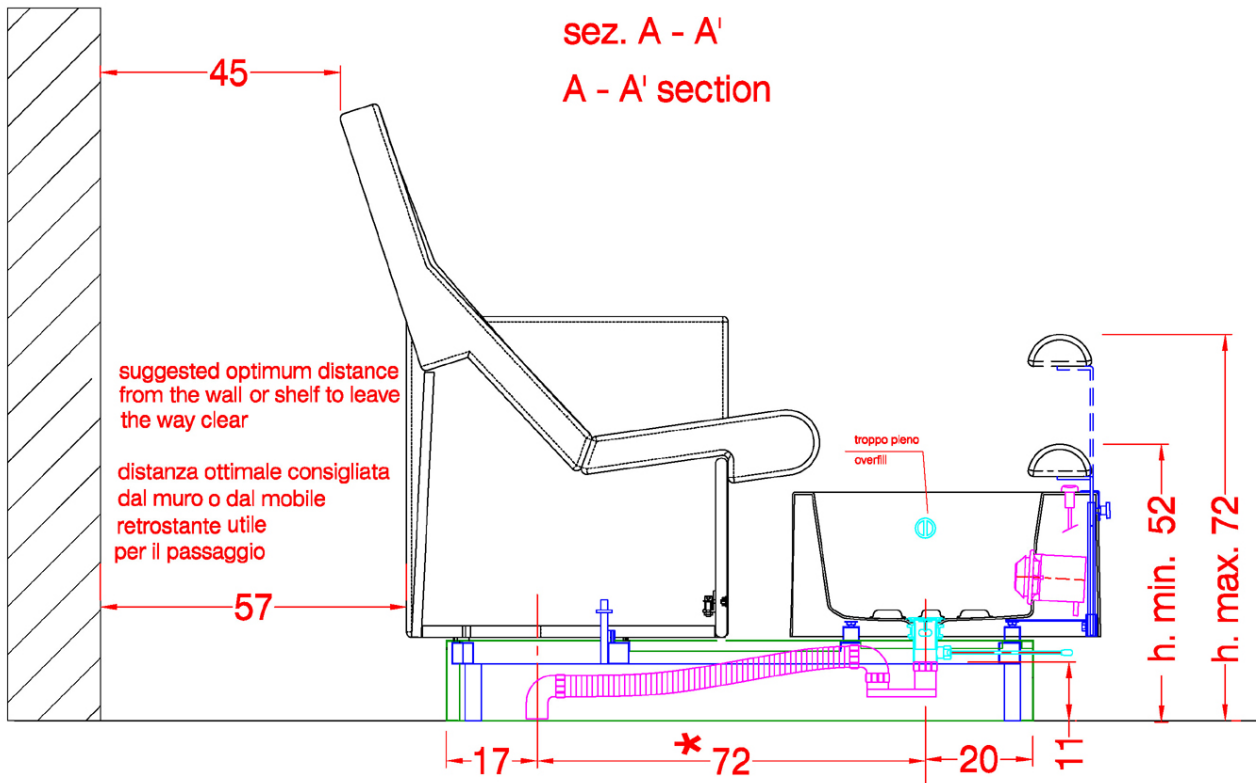
HYDROLOUNGE PEDICURE CHAIR includes:

- Fiberglass sink fitted with a Sanitizable - Bacteria Free - Easy Cleaning massage system with dual powerful jet streams with air control. **The sink is equipped with state-of-the art pipeless jet system that avoids any issue associated with bacteria & germs in old pipe whirlpool systems.** An extremely reliable, heavy duty water sealing technology prevents fluid leaking. **The Green technology of the jet system save operating costs, due to only 30W energy consumption.**
- **The pipeless jet technology allows the use of bath gel, oil or other substances not usually suitable for use in hydro-massage old, traditional systems.**
- **Built-in LED light for chromotherapy is provided on demand (OPTIONAL)**
- Single-lever mixer tap with delivery from the incorporated hand-held shower unit. Fitted with a non-return valve.
- Armchair with polyurethane foam and metal frame, upholstered in fake leather, **with rotating turnable seat, that ease the access on the chair**
- Galvanised steel structure with stainless steel housing
- Removable padded footrest, with stainless steel rod, adjustable in height and depth.
- Galvanised steel footrest with adjustable feet and aluminium base



1.5 TECHNICAL DIAGRAM





* = distanza piletta - scarico a pavimento drain - to - floor plumbing distance

1.6 TECHNICAL DATA

Chart 1

HYDROLOUNGE PEDICURE CHAIR	Measuring	
Net weight- total	kg	61
Gross weight- total	Kg	145
Armchair package dimensions	cm	152 x 80 x h.134
Electric power	W	30
Voltage	V	220 - 230V or 120V; 50 - 60Hz
Height:	cm	116
Length:	cm	142
Width:	cm	72
Water flow rate at 3 bar	litres	9 per minute
Working pressure	Bar	Min. 1.5 / max. 5
Sink capacity	l	19

Chart 2

HYDROLOUNGE PEDICURE CHAIR + kit LED RGB Chromotherapy (OPTIONAL)	Measuring	
Electric power	W	50
Voltage	V	220-230V or 120V; 50 - 60Hz
Height:	cm	116
Length:	cm	142
Width:	cm	72
Water flow rate at 3 bar	litres	9 per minute
Working pressure	Bar	Min. 1.5 / max. 5
Sink capacity	l	19

1.7 JET MASSAGE SYSTEM - TECHNICAL DATA



Dura –JET III pipe-less SPA jet



Dura – JET III LURACO ®	Features
Dimensions	4 " / 10.2cm lenght x Ø 3.3" / 8.4 cm.
Frequency	60 Hz or 50 Hz
Power	30W
Voltage	120V or 220 - 230VAC

1.8 Kit LED spot Light – RGB Chromotherapy (OPTIONAL)



Kit LED – RGB Chromotherapy	Features
Spot Dimension	Ø 1.6 " / 4 cm
Spot power supply	3.5 V
Protection Grade	IP X5
RGB spot led outlet:	12 V - 5W
Power unit consumption	16 W

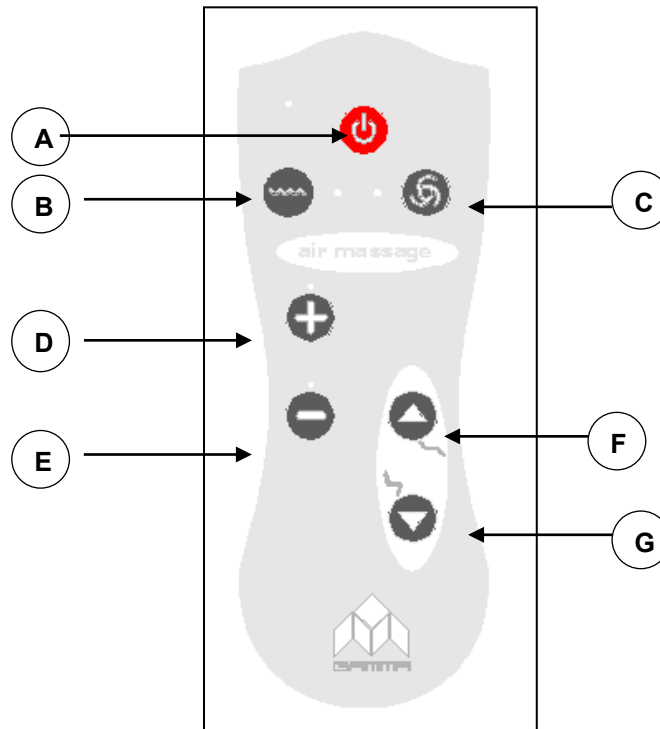
1.9 Seat massage system AIR SHIATSU (OPTIONAL)

The AIR SHIATSU massage system is operated by a remote control.

At the first connection of electricity, it is necessary to wait 7 minutes before activating any command while the microprocessor resets. This procedure takes place after every electrical breakdown.

The massage cycle program is pre-setted to last 15 minutes; At the end of the cycle, the air massage switch off automatically.

Push the red button of the remote control to restart the massage



Seat motion & massage control list:

- **Button A:** switch on and off the massage
- **Button B:** the air flow inflates the air chambers in order
- **Button C:** the air flow inflates the air chambers with a random sequence
- **Button D:** Increases the intensity of the massage by decreasing the flow speed
- **Button E:** Decrease the intensity of the massage
- **Button F:** Lift up the the seat & the leg rest in relax position
- **Button G:** Bring down the seat & the leg rest
- **Power – on lights:** indicate the increase and decrease of the massage intensity

WARNING: when turning off the massage function, wait a few seconds before bringing the chair into the sitting position to allow the mattress to totally deflate.

CHAPTER 2

SAFETY STANDARDS AND ACCIDENT PREVENTION

2.1 DANGER LEVELS

The manufacturer's main concern is the operator's safety; therefore, all dangerous situations and use-related risks are contemplated in this booklet as well as the measures to be taken for a safer use. Read this booklet carefully, and especially this section, and avoid improper behaviour or behaviour different from the instructions contained in this booklet:



DANGER: Read carefully the following standards. Non-compliance with these regulations may cause irreparable damages to people, animals or things. GAMMA & BROSS shall not be held responsible for any damages, direct or indirect, resulting from the non-compliance with the safety and accident prevention standards described below.

2.2 SAFE USE

When using **HYDROLOUNGE PEDICURE CHAIR**, it is compulsory to observe the following instructions:

- **It is forbidden** to activate or make somebody activate **HYDROLOUNGE PEDICURE CHAIR** without having first completely read and perfectly understood this booklet.
- **It is forbidden** to activate or make somebody activate **HYDROLOUNGE PEDICURE CHAIR** without the necessary training and skills, or in bad health conditions.
- **It is forbidden** to activate or make somebody activate **HYDROLOUNGE PEDICURE CHAIR** when safety devices are not engaged and fixed guards are removed.
- **It is compulsory** to check, before use, that **HYDROLOUNGE PEDICURE CHAIR** and its protection devices are in good conditions.
- **It is compulsory** to install and operate **HYDROLOUNGE PEDICURE CHAIR** in compliance with the instructions indicated in this booklet.
- **It is compulsory** to place **HYDROLOUNGE PEDICURE CHAIR** inside a closed, covered, clean, and well illuminated room, with adequate temperature, not exposed to dust or humidity and with no danger of explosion or fire.
- **It is compulsory** to check that the support base of the **HYDROLOUNGE PEDICURE CHAIR** is flat and solid.
- **It is advisable** to get acquainted with the control devices before starting operations.
- **It is advisable**, in case of malfunction, to always contact the Manufacturer, avoiding non-targeted interventions.
- **It is allowed** to use only the accessories provided by the Manufacturer.

2.3 SAFE MAINTENANCE

To ensure safety throughout the service life of **HYDROLOUNGE PEDICURE CHAIR** it is essential to observe the following instructions:

- **It is forbidden** to remove or tamper with the protection devices.
- **It is forbidden** to use petrol or solvents as detergent; always use non flammable and non toxic authorised commercial cleaning liquids.
- **It is compulsory** to disconnect the power supply before cleaning or servicing the **HYDROLOUNGE PEDICURE CHAIR**.
- **It is compulsory** for the **HYDROLOUNGE PEDICURE CHAIR** maintenance operations to be carried out only by qualified and specialised personnel.

CHAPTER 3

TRANSPORTATION, UNLOADING, MOUNTING AND COMMISSIONING

3.1 EQUIPMENT PACKING, TRANSPORTATION AND UNLOADING

All the material is carefully checked by the manufacturer before shipping.

The packing mode is defined with the customer according to the distance and the pre-selected means of transport. **HYDROLOUNGE PEDICURE CHAIR** is transported inside a packaging, protected by a plastic bag (nylon air ball) to avoid direct contact with moisture and/or dust and introduced in a box or case with the proper dimensions so as to avoid horizontal and vertical movement.

The posting outside the packaging contains the following information:

- Manufacturer's address;
- Addressee's address;

Upon receiving **HYDROLOUNGE PEDICURE CHAIR**, immediately make sure that the equipment has not suffered damages during transportation and that the packaging has not been tampered with and the equipment is inside it. In case of damages or missing parts, immediately report this information to the carrier and manufacturer, and take photos to keep a record.

The different parts of the **HYDROLOUNGE PEDICURE CHAIR** packaging must be lifted manually by two people. If some kind of lifting device is used, check for the correct balance of the load, until it is completely lifted, and proceed with a constant movement with no jerks or thrusts.

Keep the load as low as possible during movements for better load stability and greater visibility. The manufacturer is not responsible for breaks during the transportation of the **HYDROLOUNGE PEDICURE CHAIR**.

3.2 UNPACKING

Take the packed equipment as near as possible the place in which it will be installed and take out the packing parts. If the packaging is made of paper, place it in the corresponding containers for separate collection and recycling. If the packing is made of plastic (nylon air ball), do not burn or throw it out in the environment, but dispose of it in the corresponding collection points, according to the current legislation in the user's country. Keep packaging components out of the reach of children as they are potentially dangerous.

3.3 INSTALLATION

The operations to install the **HYDROLOUNGE PEDICURE CHAIR** are described below. Before installation, check that the equipment is complete and in good conditions.



- **The installation and adjustment of the HYDROLOUNGE PEDICURE CHAIR involve dangerous operations: only skilled responsible personnel must carry out these operations.**
- **Read carefully the instructions specified in this booklet: GAMMA & BROSS shall not be held responsible for damages resulting from the non-compliance with such instructions.**
- **Electrical and hydraulic checks and connections must only be carried out by qualified personnel in compliance with the regulations in force.**

3.4 CHECKING BEFORE MOUNTING

Before mounting **HYDROLOUNGE PEDICURE CHAIR**, it is necessary to check and, if necessary, adjust the systems in the installation room, and observe the following measures:

- Check operation voltage and frequency: they must coincide with the power mains voltage and frequency in the room. The electric equipment is generally set to operate at a 230-volt voltage, and 50-hertz frequency.
- Check the state of the power supply cable conductors and earth cable.
- Check that an automatic cut-out device with an emergency cut-out switch for overcurrent has been installed.
- Connect the equipment cable to the power socket with extreme care according to the regulations in force.
- Voltage drops and devices that cause electromagnetic interference may damage the electronic parts of the **HYDROLOUNGE PEDICURE CHAIR**.
- Provide a double-pole differential circuit breaker with minimum opened contacts.



It is forbidden to connect the electric equipment directly to the cables of the power supply system of the room: faults in the power supply system may irreparably damage the **HYDROLOUNGE PEDICURE CHAIR and cause serious accidents to those in contact with the pedicure spa.**

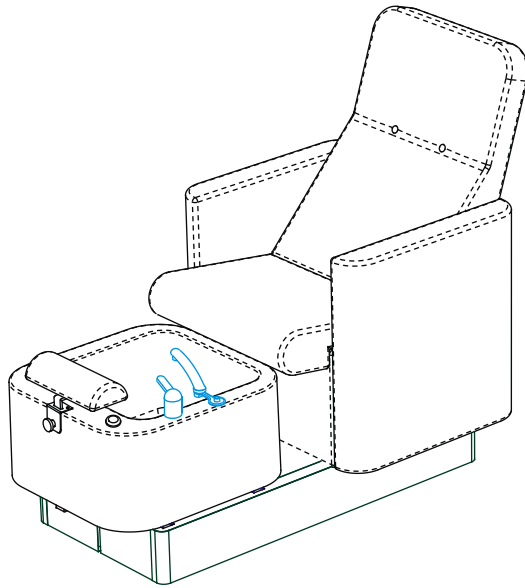
- Check water pressure: it is advisable to use the pedicure spa at a 3-Bar pressure. Install, if necessary, a pressure reducer.
- Check that a supply hot water adjusting thermostat is installed: it must not be over 66°.
- It is necessary to fit ball valves in the supply pipes to facilitate maintenance.



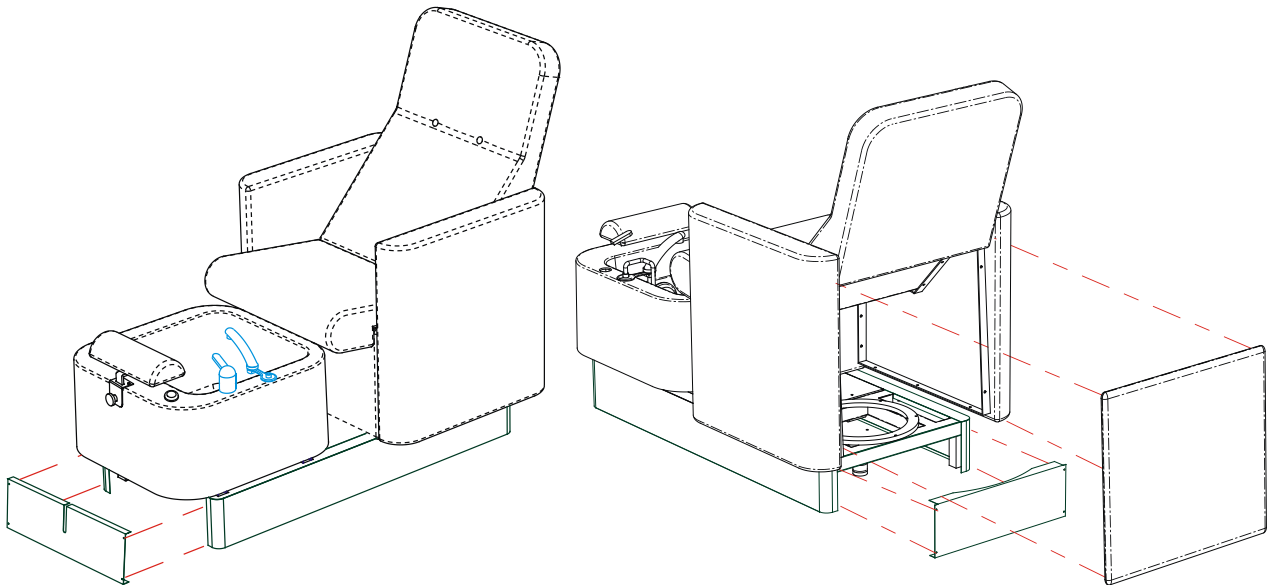
WARNING: Before connecting the faucets, purge the water system to avoid that sand and residual dirtiness obstruct the faucets and damage the sophisticated faucet ceramics.

3.5 HYDROLOUNGE PEDICURE CHAIR MOUNTING

- 1) Lift the **HYDROLOUNGE PEDICURE CHAIR**, remove the packaging with extreme care and position the arcmchair in the place in which it is intended to be used.

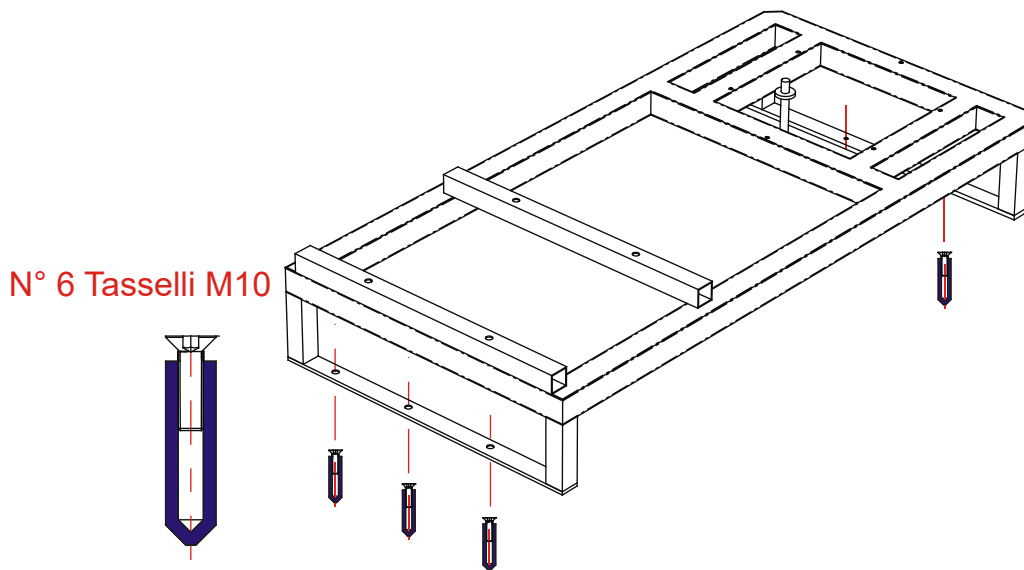


2) Remove the front & rear steel covers by undoing the self-tapping screws. (start with the front one)

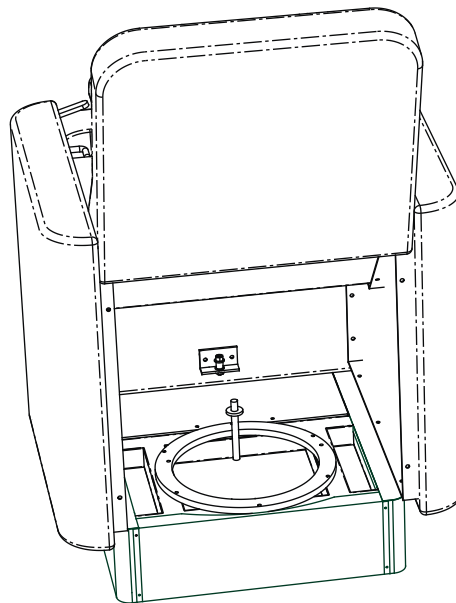


DANGER: the stainless steel sheet that protects the motor is sharp. Use protective gloves and handle it with extreme care.

- 3) Disassemble the rear panel and access to the wiring & plumbing area
- 4) Trace with highlighter the position for frame fixing to the floor (use n°6 rawlplugs M10 thread)



- 5) Re.position the pedicure chair and fix it to the floor
- 6) Perform the hydraulic & electric connections, inside the rotating guide that is under the sea
- 7 Refit the steel covers
- 8) Refit the rear upholstered panel
- 9) Remove the protective film.



DANGER: Electrical and hydraulic checks and connections must be carried out only by qualified personnel in compliance with the regulations in force.



WARNING: Before refitting, test the product operation to check possible faults or water leaks.

CHAPTER 4 INSTRUCTIONS FOR USE

4.1 WARNINGS BEFORE USE

- This product may only be used for the intended purpose. The manufacturer is not responsible for damages resulting from improper use.
- Instruct the personnel on the use of the pedicure spa.
- Make sure that the sink discharge is always effective.
- Do not obstruct the nozzles with objects or parts of the body.
- Never run pump dry.
- Never start the pump if nozzles are not completely submerged.
- Do not use water too hot (over 50°C). Use water at a maximum temperature of 40°C.
- Before the first start-up of the system, remove possible waste from the sink.
- Before using the pedicure spa, a disinfection cycle must be carried out, as the one indicated for weekends. See chapter 6.1.

4.2 WARNINGS FOR CLIENTS' HEALTH AND SAFETY.

People with irritation or wounds on legs and feet must never use the pedicure spa.

Operators must advise clients to consult their physician before using the pedicure spa if there are signs of bacterial infections, fungus, tumescence, fractures or persistent pain.

During the hydro-massage, clients must experience a sensation of wellness. If clients undergo pain or discomfort, immediately interrupt the treatment.

Check water temperature before each treatment:
it must not be over 40°.

Look out and guide clients when stepping up and down the footboard. Check that they do not stumble or hit the equipment parts.

Clients must never stand on the sink.

First, make them seat firmly on the armchair and check that they gently rest their feet in the sink.

Once the treatment is completed, make users step firmly on the footboard before standing up.

Be extremely careful: wet surfaces are slippery and may cause dangerous falls.

Do not use or move electrical appliances near the hydro-massage or the pedicure spa.



4.3 USE OF THE HYDROLOUNGE PEDICURE CHAIR

Before starting the **HYDROLOUNGE PEDICURE SPA**, check the system effectiveness and get acquainted with the control devices.

The armchair is fitted with a removable headrest: to remove it, just pull it upwards.

The seat can be rotated to facilitate the access for seating.

Refill the sink with water at a suitable temperature by operating the single-lever mixer tap.

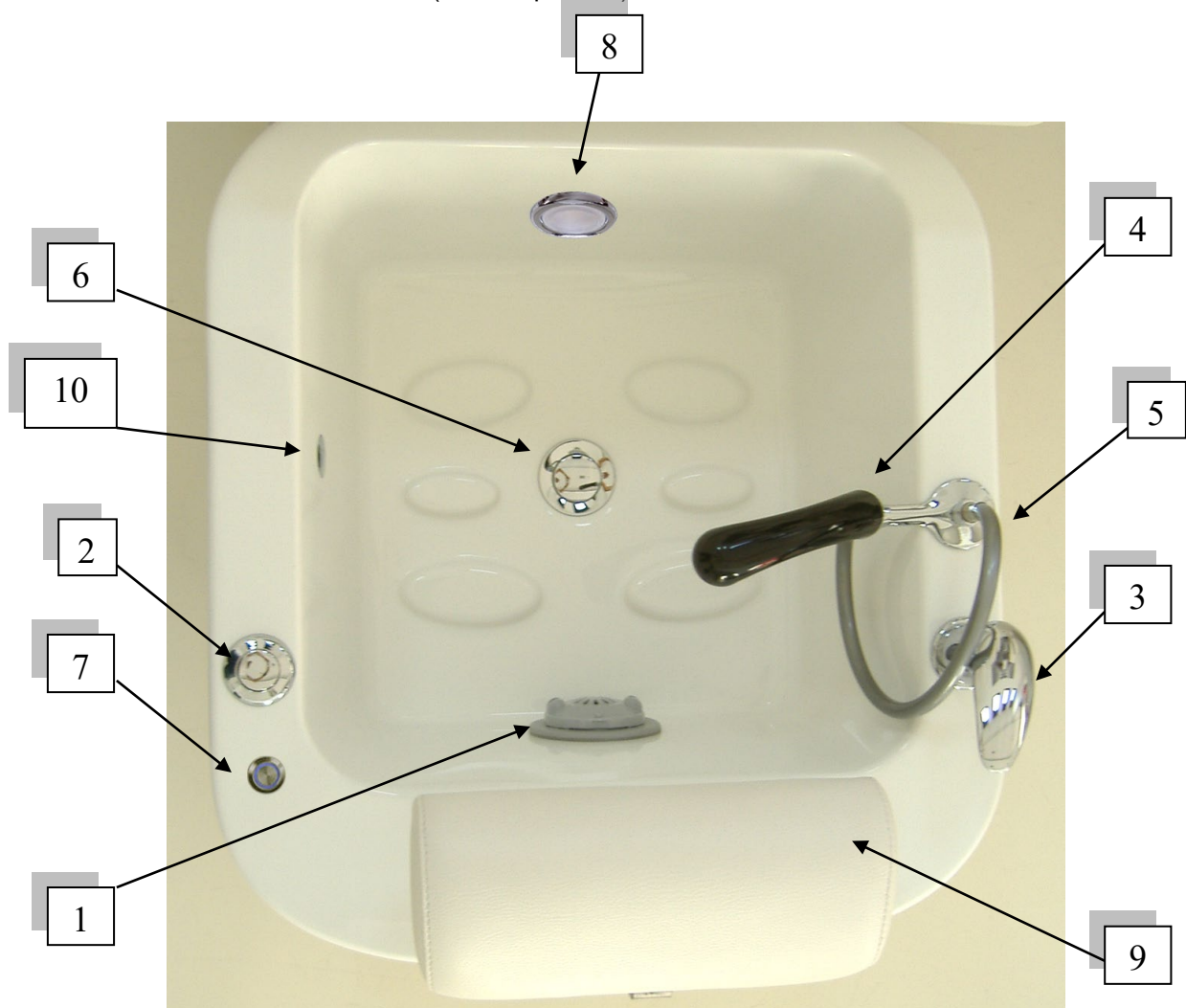


WARNING: The sink is fitted with an overflow outlet, but in case of water delivery at maximum opening, the outflow may not be sufficient. The sink could overflow.

Never leave the pedicure spa unattended when the faucet is open.

The bathtub cannot support the weight of a person: never stand directly in the bathtub, but first remove your feet, place them on the ground, and then stand up.

- The Dual Jet-streams are oriented 35 degrees with respect to pump axis
- When nozzle is completely covered by water (2-3 cm over), start the system by pressing the ON/OFF push-button.
- At the end of the treatment, turn off the hydro-massage system with the ON/OFF push-button.
- Empty the sink by using the drain cover opening lever, that is under the sink.
- Wash the sink with neutral non-abrasive detergents.
- Rinse the sink by taking out the shower head from the faucet nozzle.
- Disinfect after each treatment. (See chapter 5.1).



4.4 LIST OF PEDICURE SINK ELEMENTS

1	Pipe-less SPA Jet
2	On/off Jet stream push-button
3	Mixer Tap
4	Hand-held shower unit
5	Drop - stop
6	Drain plug
7	On/off LED RGB spot push-button (OPTIONAL)

4.5 OPERATION OF THE 9 LED RGB SPOT FOR CHROMOTHERAPY (OPTIONAL COMPONENT)

Manual Mode:

In Manual mode you can select a fixed color from 11 available colors. From headlight off, you briefly press the up button to select the desired color, according to the sequence:

1. White (full color)
2. Blue
3. Light Blue
4. Violet
5. Fuchsia
6. Red
7. Pink
8. Orange
9. Yellow
10. Green Apple
11. Green
12. headlights off.

The transition from one color to the next is made more pleasant by a brief soft transition.

Automatic Mode:

In Automatic mode the control unit contains five preset color sequences, called: Energy, Tonic, Relax, Sun and Dream. Each sequence begins with headlight that lights up gradually to the first color in the same sequence. The sequences are composed of a repeated succession of various colors, with gradual transition between one color and the next. The permanence of each color varies according to the chosen sequence. For each sequence shows the detailed description on Tab. 1. To activate the Automatic mode you must first activate the white manual mode (press once the button lights off). So the button is pressed again and held down for 2 ". It is initially called the blue color or the second color of the Manual mode, but after 2 "the headlights go off and light up again gradually towards the red (which is the first color of the first Energy auto sequence), confirming that the automatic mode is activated. At this point, briefly pressing the button you can select the other four sequences and, finally, turn off the headlights. You can also turn off the lights by holding the button for 2 ", similar to the Manual mode.

Sequence Name	color cycle (loop)	Stay of color
1. ENERGY	Red	30"
	Orange	30"
	Yellow	30"
	White	30"
	Yellow	30"
	Orange	30"
2. TONIC	Yellow	30"
	Red	30"
	Green	30"
3. RELAX	Blue	30"
	Green	30"
	White	30"
	Green	30"
4. SUN	Yellow	20"
	Orange	15"
	Yellow	20"
	Light Blue	15"
	Yellow	20"
	White	15"
5. DREAM	Green	60"
	Blue	60"
	Light Blue	60"
	White	60"
	Orange	60"
	Red	60"
	Violet	60"

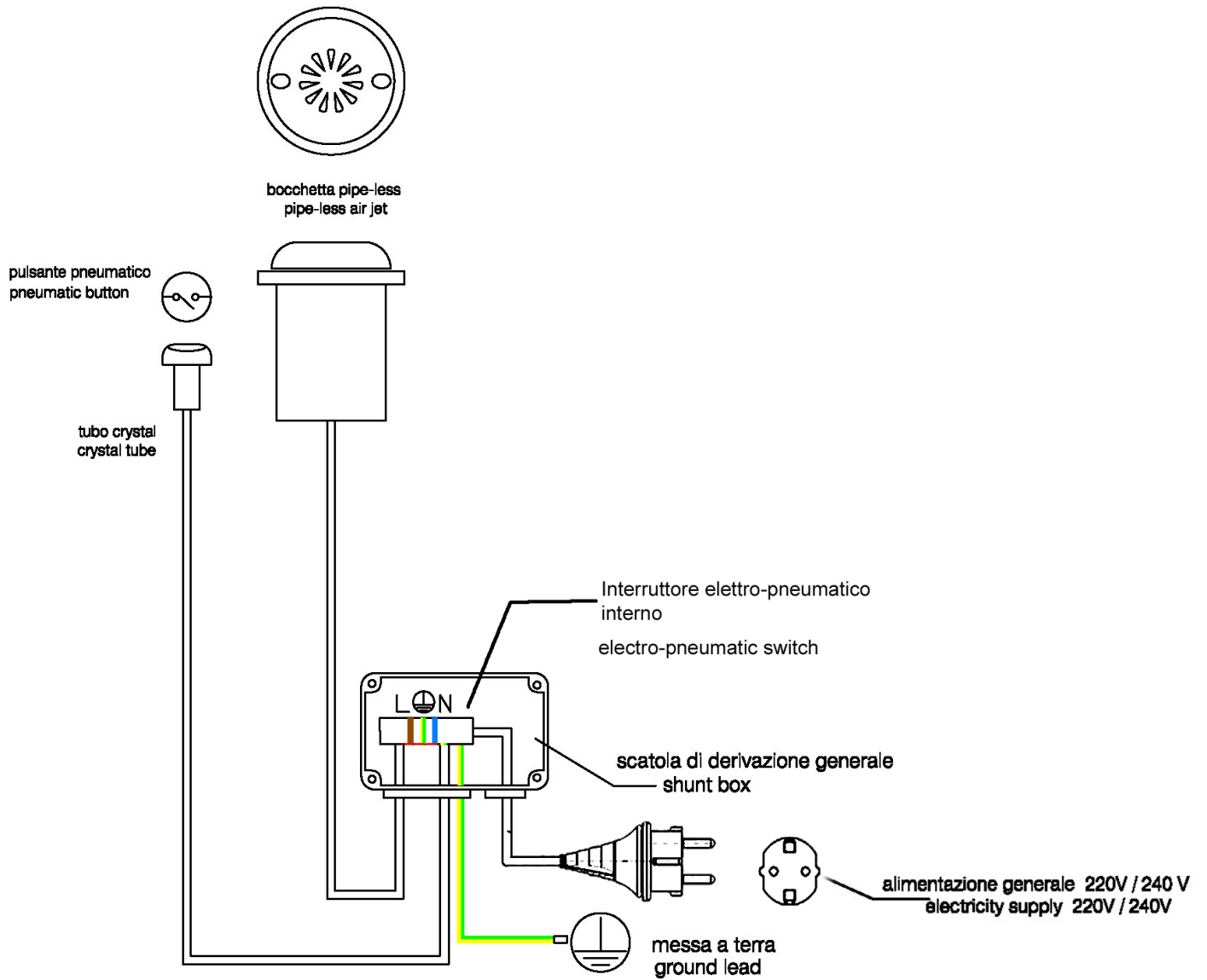
Tab. 1 – automatic Sequence



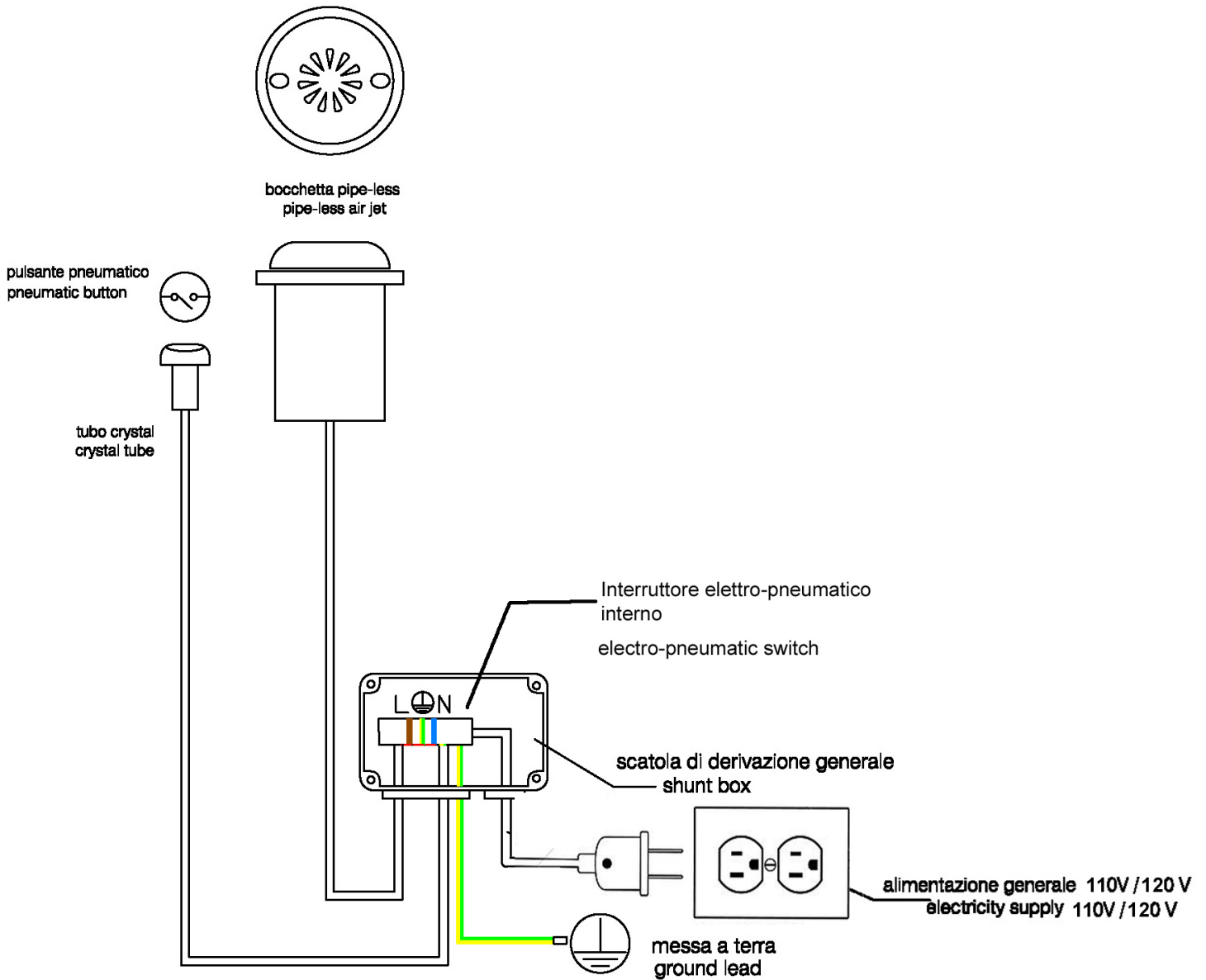
CHAPTER 5

TECHNICAL SPEC SHEETS

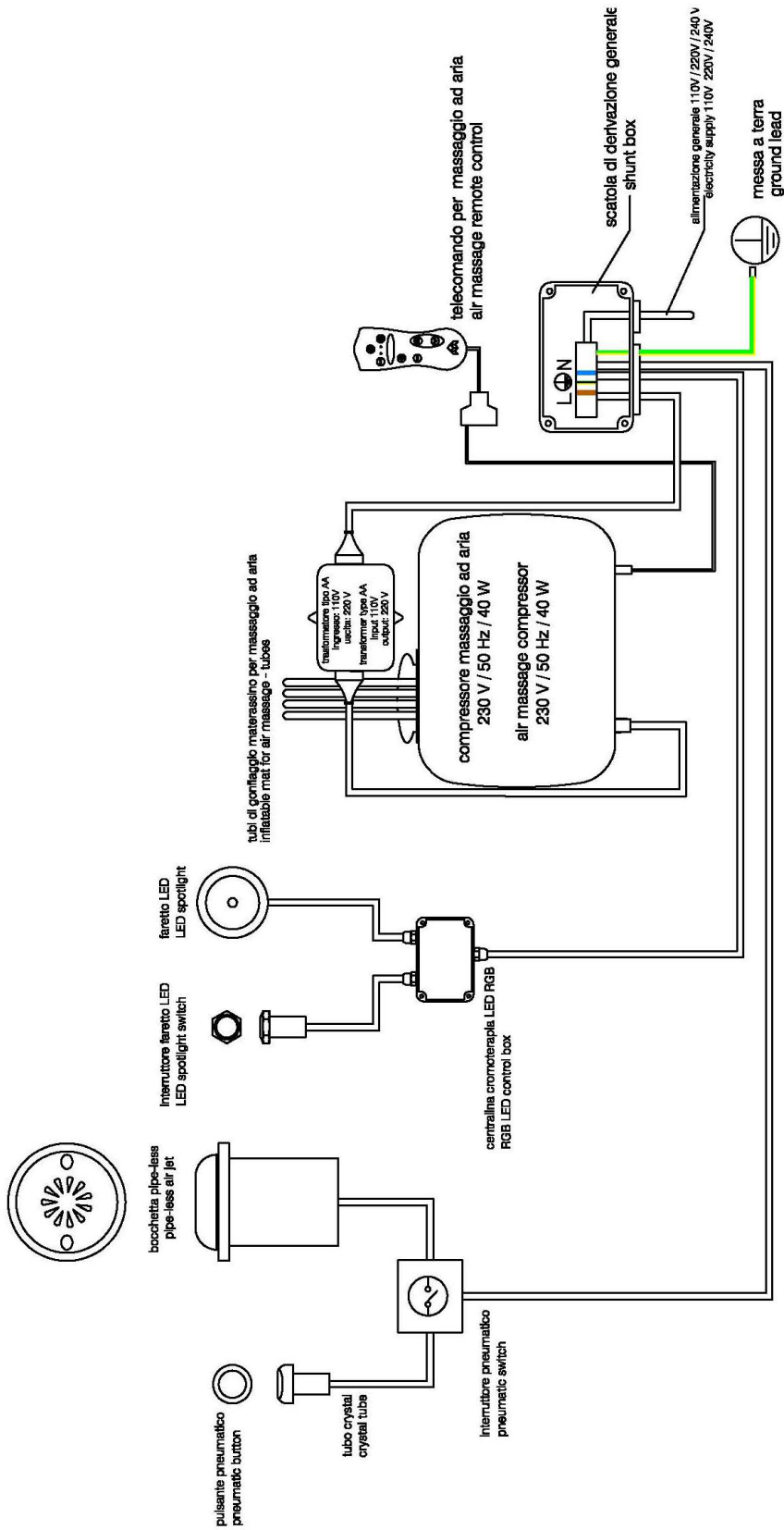
5.1 ELECTRICAL LAY OUT – EU & OTHER COUNTRIES MARKET



5.2 ELECTRICAL LAY OUT – U.S.A. MARKET ONLY



5.3 ELECTRICAL LAY OUT – AIR SHIATSU MASSAGE VERSION

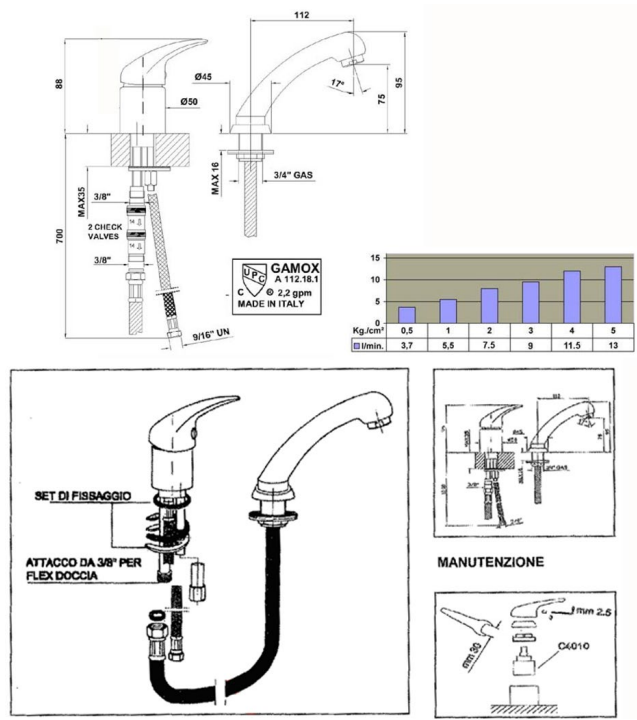
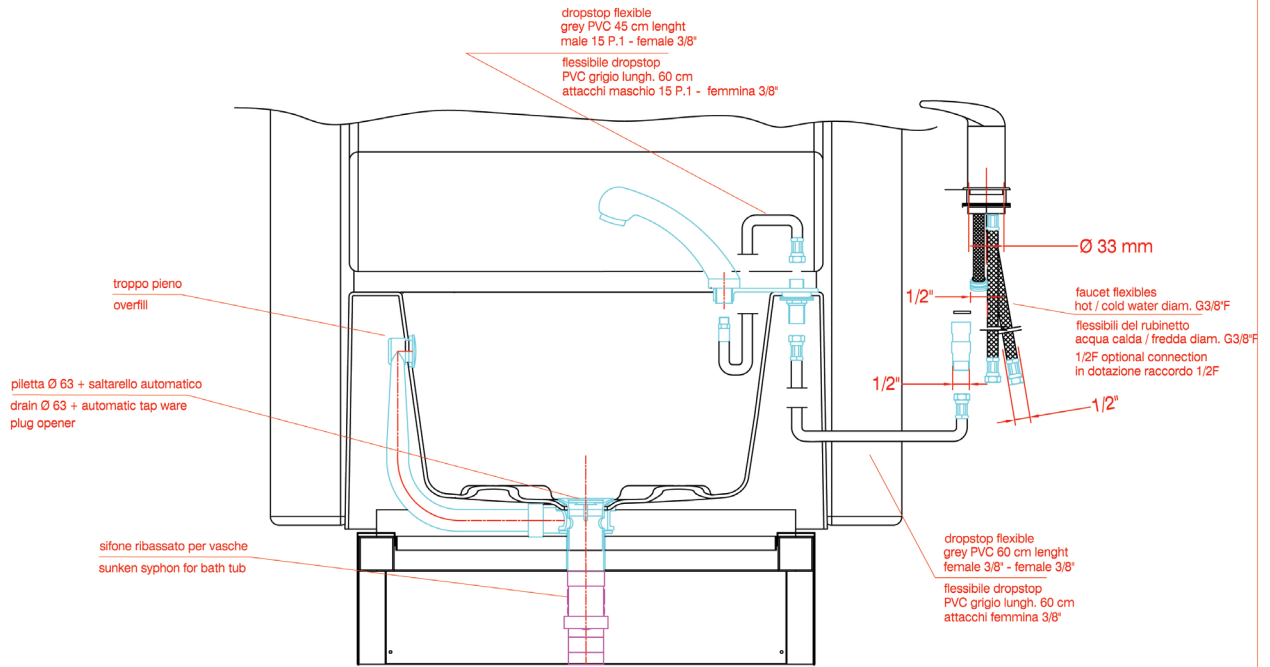


5.3 HYDRAULIC LAY OUT

MIXER + SHOWER MOD. GM509.020 STANDARD U.S.A. GAMOX
Testing pressure 15 bar

USE LIMIT UNI 10234 EN (817)
Pressure MIN 0.5 bar MAX 10 bar
Temperature MAX 90°.

SUGGESTED USE LIMIT FOR CORRECT WORKING
Pressure MIN 0.5 bar MAX 5 bar
Temperature MAX 65°



CHAPTER 6

CLEANING AND MAINTENANCE

6.1 SANITIZING



It is important to keep maximum cleaning and correctly sanitize the hydro-massage system to avoid bacterial proliferation that may cause dangerous infections.



Observe local regulations for compulsory cleaning procedures and disinfections (they may be different from the following general instructions).

Use only specific authorised liquids following the instructions for use and quantities that are indicated.

Sanitizing to be carried out before each treatment.

Remove all the solid wastes and specks from the sink. Drain out the dirty water.
Refill the sink with clean water and pour non-foaming sanitizing liquid (antibacterial – fungicide – antiviral)
Operate the pipeless Dual Jet Stream for 5-10 minutes
Empty the sink
Carefully rinse the sink with the hand-held shower unit of the tap spout.
Dry with a non- abrasive sponge and a soft cloth.

Sanitizing of the pipeless Dual Jet Stream to be carried out at least one time per month.

- Turn counterclockwise the covering of the Jet



- Carefully clean the fan and the inner part of the nozzle with a brush.



- Close again the cover, **turning it clockwise**



See the quick video



6.2 REGULAR MAINTENANCE

In order to ensure the **HYDROLOUNGE** performance throughout time and its correct operation, it is essential to observe the instructions indicated below.

- All stages of sink maintenance must be frequently carried out with extreme accuracy. In order not to damage the brightness of resin and metal pieces, follow the instructions below:
- the sink must be cleaned with a soft cloth and a non-abrasive liquid detergent.
- Never use synthetic fibres, abrasive sponges, metal-wire stoppers, solid abrasive or acid household detergents, acetone, corrosive substances with methyl or other solvents, since they stain the surface.
- Use diluted vinegar to dissolve possible calcareous sediments.
- Install a softener device to remove calcareous sediments.
- Do not expose the sink to an excessive UV-ray load (for example, near a sun bed) or to sunlight so as not to affect the colour.



WARNING: Anti-calcareous products on the market contain solvents and acids that corrode chrome-plated surfaces and are harmful to health through inhalation and contact.

- The armchair surface must be regularly cleaned with soft cloths and sponges, water and neutral detergents.
 - It is strictly forbidden to use solvents, acids, or abrasive detergents or materials: the eco-leather surface protection would be damaged, thus compromising its quality and dirt resistance.
 - Absolutely avoid staining the armchair with dye: it is impossible to clean dye stains.
- If it accidentally occurs, try to remove the dye stains immediately so as to lessen the damage.

6.3 EXTRAORDINARY MAINTENANCE:

Extraordinary maintenance operations (repairs of components, cleaning of internal parts) shall only be carried out by specialised personnel authorised by the Manufacturer. Interventions in the electrical system are considered extraordinary maintenance operations because they require the intervention of specialised personnel.



It is compulsory to remove the plug from the electric power supply socket before carrying out any maintenance operation

6.4 TECHNICAL SERVICE:

Maintenance operations must be carried out following the instructions contained in this booklet. For other cases not included in this booklet and any kind of assistance, contact the Manufacturer indicating:

- **Model**
- **Customer Reference**
- **Order number or delivery note**
- **Delivery date**

Correct references ensure quick and accurate answers.

If the Streamline maintenance operations are not carried out in compliance with the instructions provided, if the spare parts are not original or are replaced without the manufacturer written authorisation, if the equipment integrity is put to risk or its characteristics are changed in any way, GAMMA & BROSS shall not be held responsible for people safety or the Streamline incorrect operation. Any unauthorised operation voids the warranty terms and conditions.

CHAPTER 7

INSTRUCTIONS FOR DISPOSAL

At the end of the product service life, its disposal must be carried out taking into account the environment conservation following specific regulations.

It is recommended to dispose of the product in the corresponding ecological areas.

It is recommended to strictly follow the regulations in force regarding separate collection.

CHAPTER 8

CERTIFICATION OF COMPLIANCE



GAMMA & BROSS
Via Mazzini, 2
46043 Castiglione delle Stiviere (MANTOVA) - ITALY

UL - CE STANDARD COMPLIANCE FOR PIPE-LESS SPA JET



The pipe-less SPA Jet, the SPA controller, the discharge pump installed in the **HYDROLOUNGE PEDICURE CHAIR** comply with the regulations in force in the USA and CANADA – UE Countries

HYDROLOUNGE PEDICURE CHAIR complies with:

- *UL 1647 (Motor operated massage and exercise machines)*
- *CE (EN 60335-1:2012, EN 60335-2-32:2003/A1:2008) Standards.*

GAMMA & BROSS S.p.A.

VIA MAZZINI, 62/E - 46043 CASTIGLIONE DELLE STIVIERE (MN) ITALY
PH. +39 0376 632630 - FAX +39 0376 636683
Cap. Soc. € 765.000 - www.gammabross.com
REA 158093 - Cod. Fisc. e Part. IVA IT 01431270204



CE – DECLARATION OF CONFORMITY

MANUFACTURER: Gamma & Bross S.p.A.
Via Mazzini, 62/E
46043 Castiglione delle Stiviere (MN)
ITALY

EQUIPMENT: Art. GSP0013PE HYDROLOUNGE PEDICURE
Art. GSP0015PE HYDROLOUNGE SHIATSU PEDICURE

Is herewith confirmed that the summentioned products comply with the requirements set out in the Council Directive, the following Standards were applied:

2014/30/UE Directive 2014/30/EU of the European Parliament and of the Council of 26 February 2014 on the harmonisation of the laws of the Member States relating to **ELECTROMAGNETIC COMPATIBILITY -EMC** (recast)

2014/35/UE Directive 2014/35/EU of the European Parliament and of the Council of 26 February 2014 on the harmonisation of the laws of the Member States relating to the making available on the market of electrical equipment designed for use within certain voltage limits (recast) – **LOW VOLTAGE DIRECTIVE - LVD**

CASTIGLIONE DELLE STIVIERE, FEBRUARY 2nd 2015

LEGAL REPRESENTATIVE SIGNATURE

GAMMA & BROSS S.P.A.
Sede: Via Mazzini, 62/E
Tel. 0376.632630 - Fax 0376.636683
46043 Castiglione delle Stiviere (MN)
Capitale Sociale € 765.000,00 int. vers.
Reg. Imp. MN e Partita IVA: 01431270204

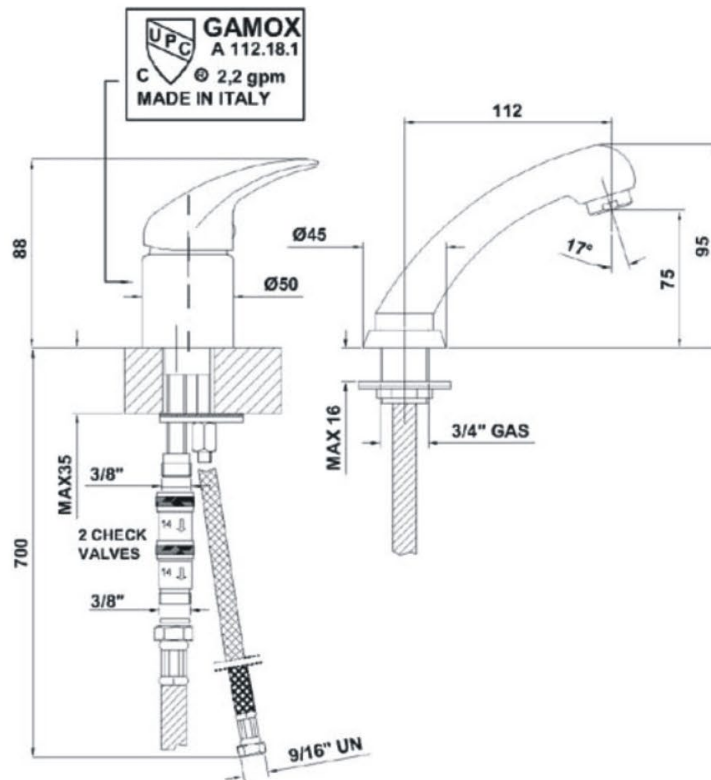
Guido Stuani – Presidente

THE UNDERSIGNED HEREBY DECLARES THAT THE ABOVE MENTIONED GOODS ARE ENTIRELY IN CONFORMITY WITH THE SUMMENTIONED EEC RULE

Gamma & Bross S.p.A. - via Mazzini, 62/E - 46043 - Castiglione delle Stiviere (MN) - ITALY - Tel. (+39) 0376 632630 - Fax (+39) 0376 636683



Art. GA509.20
STANDARD - USA
 Single lever mixer for hairdresser
 according to IAPMO standard
IAPMO



IAPMO RESEARCH AND TESTING, INC.

5001 E. Philadelphia Street, Ontario, CA 91761 • Phone (909) 472-4100 • Fax (909) 472-4244 • www.iapmort.org



CERTIFICATE OF LISTING



IAPMO Research and Testing, Inc. is a product certification body in which its product certification system includes inspection and testing of samples taken from the supplier's stock or from the market or a combination of both to verify compliance to the requirements of applicable codes and standards. This activity is coupled with periodic surveillance of the supplier's factory and/or warehouses as well as the assessment of the supplier's Quality Assurance System. This listing is subject to the conditions set forth in the characteristics below and is not to be construed as any recommendation, assurance or guarantee by IAPMO Research and Testing, Inc. of the product acceptance by Authorities Having Jurisdiction.

Issued To:

GAMOX RUBINETTERIE SRL

VIA DELL'ARTIGIANATO, 8 25010 ACQUAFREDDA (BS) , Italy

Product:

Plumbing Fixture Fittings

Products are in compliance with the following code(s):

Uniform Plumbing Code (UPC®)
National Plumbing Code of Canada
International Plumbing Code (IPC®)

Products are in compliance with the following standard(s)

ASME A112.18.1-2018/CSA B125.1-18

File Number: 5526

Effective Date: February 2019

Void After: February 2024*


Chairman, Product Certification Committee




Chief Technical Service Officer

*This certificate is not evidence of current listing. To verify listing status, visit the IAPMO R&T Product Listing Directory at pld.iapmo.org

This listing period is based upon the last date of the month indicated on the Effective Date and Void After Date shown above. Any change in material, manufacturing process, marking or design without having first obtained the approval of the Product Certification Committee, or any evidence of non-compliance with applicable codes and standards or of inferior workmanship, may be deemed sufficient cause for revocation of this listing. Production of or reference to this form for advertising purposes may be made only by specific written permission of IAPMO Research and Testing, Inc. Any alteration of this certificate could be grounds for revocation of the listing. This document shall be reproduced in its entirety.

IAPMO RESEARCH AND TESTING, INC.

CERTIFICATE OF LISTING



Issued To: GAMOX RUBINETTERIE SRL

Effective Date: February 2019

File Number: 5526

Product: Plumbing Fixture Fittings

Void After: February 2024

This certificate is not evidence of current listing. To verify listing status, visit the IAPMO R&T Product Listing Directory at pld.iapmo.org

Identification:

Plumbing supply fittings shall be marked with the manufacturer's recognized name, trademark, or other mark or, in the case of private labeling, the name, trademark or other mark of the customer for whom the fitting was manufactured. The marking shall be accomplished by use of a permanent mark or by placing a permanent label on the product. Markings on plumbing supply fittings shall be visible after installation.

Showerheads and hand-held showers shall be marked with the manufacturer's specified maximum flow rate, in L/min and gpm.

Kitchen, lavatory, and metering faucets shall be marked with the manufacturer's specified maximum flow rate, in L/min and gpm or L/cycle and gpc.

Single-handle and single-control bath and shower mixing valves shall have their temperature control settings identified alphabetically, numerically, or graphically.

High-efficiency commercial pre-rinse spray valves shall be marked with the manufacturer's specified maximum flow rate, in L/min (gpm).

Listed products shall bear the cUPC® certification mark.

Packaging for plumbing supply fittings shall be marked with the manufacturer's name, trademark, or other mark as well as the model number or, in the case of private labeling, the name, trademark, or mark of the customer for whom the fitting was manufactured as well as the model number.

Packaging for showerheads and hand-held showers shall be marked with the manufacturer's specified maximum flow rate and either the manufacturer's specified minimum flow rate or the statement "For use with automatic compensating valves rated at xxx L/min (yyy gpm) or less", where xxx L/min (yyy gpm) is the manufacturer's specified minimum flow rate.

Packaging for kitchen, lavatory, and metering faucets shall be marked with the manufacturer's specified maximum flow rate, in L/min and gpm or L/cycle and gpc.

Characteristics:

Fittings may include lavatory, sink, bath & shower, lawn and sediment faucets. Plumbing fixture fittings to be installed in accordance with the manufacturer's instructions and the requirements of the latest edition of the Uniform Plumbing Code and National Plumbing Code of Canada.

Products listed on this certificate have been tested by an IAPMO R&T recognized laboratory. This recognition has been granted based upon the laboratory's compliance to the applicable requirements of ISO/IEC 17025.

IAPMO RESEARCH AND TESTING, INC. CERTIFICATE OF LISTING



Issued To: GAMOX RUBINETTERIE SRL

Effective Date: February 2019

File Number: 5526

Product: Plumbing Fixture Fittings

Void After: February 2024

This certificate is not evidence of current listing. To verify listing status, visit the IAPMO R&T Product Listing Directory at pld.iapmo.org

Models

Model Number	Description
GA509.20	
GA517.20	
MA510.20	
PIBBS565.20	Single control, shampoo faucet with spray head
ST700.20	

IAPMO RESEARCH AND TESTING, INC. CERTIFICATE OF LISTING



Issued To: GAMOX RUBINETTERIE SRL

Effective Date: February 2019

File Number: 5526

Product: Plumbing Fixture Fittings

Void After: February 2024

This certificate is not evidence of current listing. To verify listing status, visit the IAPMO R&T Product Listing Directory at pld.iapmo.org

Additional Company Information

PIBBS Industries

Model Number	Description
565.20	Single control, shampoo faucet with spray head

IAPMO RESEARCH AND TESTING, INC.

5001 E. Philadelphia Street, Ontario, CA 91761-2816 • (909) 472-4100 • Fax (909) 472-4244 • www.iapmort.org



IAPMO R&T Product Listing



This IAPMO R&T Listing is current as of 12/5/2019

Product: Plumbing Fixture Fittings

File No. 5526

Issued To: GAMOX RUBINETTERIE SRL
VIA DELL'IMPRESA 21/23,
CASTIGLIONE DELLE STIVIERE
, MANTOVA46043
ITALY

Identification: Each fitting shall bear permanent legible markings to identify the manufacturer. This marking shall be the trade name, trademark, or other mark known to identify the manufacturer. The product shall also bear all other markings required by the standard. The marking shall be located where it can be readily seen after installation is complete. The product shall also bear the cUPC® certification mark.

Characteristics: Fittings may include lavatory, sink, bath & shower, lawn and sediment faucets. To be installed in accordance with the manufacturer's instructions and the requirements of the latest edition of the Uniform Plumbing Code.

Products listed on this certificate have been tested by an IAPMO R&T recognized laboratory. This recognition has been granted based upon the laboratory's compliance to the applicable requirements of ISO/IEC 17025.

Products are in compliance with the following code(s):

Uniform Plumbing Code (UPC®)
National Plumbing Code of Canada
International Plumbing Code (IPC®)

Products are in compliance with the following standard(s):

ASME A112.18.1-2018/CSA B125.1-18

MODELS:

<u>Model No.</u>	<u>Description</u>
GA509.20	
GA517.20	
MA510.20	
PIBBS565.20	Single control, shampoo faucet with spray head
ST700.20	

ADDITIONAL COMPANY INFO:

PIBBS Industries

<u>Model No.</u>	<u>Description</u>
565.20	Single control, shampoo faucet with spray head

Hydrolounge/Nelbydro/Hydrocart/Streamline pipeless



[ITA]

Gentile Cliente, Grazie per aver scelto il nostro prodotto professionale. Per garantire un uso ottimale e sicuro del prodotto, ti preghiamo di leggere attentamente le seguenti avvertenze contenute anche nel manuale di utilizzo.

Avvertenze per l'utilizzo

1. **Non azionare l'idromassaggio prima di aver riempito d'acqua la vasca ad un livello ottimale (che superi il bocchettone idromassaggio). Mantenere sempre il livello d'acqua richiesto.**
2. **Pulire settimanalmente il bocchettone, vedi video QR code**

Il corretto utilizzo e la manutenzione del prodotto garantiranno una lunga durata del prodotto e prestazioni ottimali. Se hai bisogno di ulteriori informazioni o assistenza, non esitare a contattarci. Grazie ancora per averci scelto e buon lavoro!

[ENG]

Dear Customer, Thank you for choosing our professional product. To ensure optimal and safe use of the product, please carefully read the following warnings (also contained in the user manual).

1. **Do not activate the whirlpool before filling the tub with water to an optimal level (above the whirlpool nozzle). Always maintain the required water level.**
2. **Clean the nozzle weekly, see the QR code video.**

Proper use and maintenance of the product will ensure the product's long lifespan and optimal performance. If you need further information or assistance, please do not hesitate to contact us. Thank you again for choosing us and have a great day! Best regards

[DE]

Sehr geehrter Kunde, vielen Dank, dass Sie sich für unser professionelles Produkt entschieden haben. Um eine optimale und sichere Nutzung des Produkts zu gewährleisten, bitten wir Sie, die folgenden Warnhinweise sorgfältig zu lesen, die auch im Benutzerhandbuch enthalten sind.

1. **Betreiben Sie den Whirlpool nicht, bevor Sie die Wanne auf ein optimales Niveau mit Wasser gefüllt haben (das den Whirlpool-Düsen übersteigt). Halten Sie immer den erforderlichen Wasserstand ein.**
2. **Reinigen Sie wöchentlich die Düse, siehe QR-Code-Video.**

Die korrekte Nutzung und Wartung des produkt Rohres gewährleistet eine lange Lebensdauer des Produkts und optimale Leistung. Wenn Sie weitere Informationen oder Unterstützung benötigen, zögern Sie bitte nicht, uns zu kontaktieren. Nochmals vielen Dank, dass Sie sich für entschieden haben, und viel Erfolg!

[FRA]

Cher Client, Merci d'avoir choisi notre produit professionnel. Pour garantir une utilisation optimale et sécurisée du produit, nous vous prions de lire attentivement les avertissements suivants, également inclus dans le manuel d'utilisation.

1. **Ne pas activer le bain à remous avant d'avoir rempli la baignoire d'eau à un niveau optimal (au-dessus de la buse d'hydromassage). Maintenez toujours le niveau d'eau requis.**
2. **Nettoyer la buse chaque semaine, voir la vidéo via le QR code.**

Une utilisation correcte et l'entretien de produit garantiront une longue durée de vie du produit et des performances optimales. Si vous avez besoin de plus d'informations ou d'assistance, n'hésitez pas à nous contacter. Merci encore d'avoir choisi nous et bon travail!

[ESP]

Estimado Cliente, Gracias por elegir nuestro producto profesional "Hydrolounge/Nelbydro". Para garantizar un uso óptimo y seguro del producto, le rogamos que lea atentamente las siguientes advertencias, también incluidas en el manual de uso.

1. **No accione el hidromasaje antes de haber llenado la bañera con agua a un nivel óptimo (por encima de la boquilla del hidromasaje). Mantenga siempre el nivel de agua requerido.**
2. **Limpie la boquilla semanalmente, vea el video en el código QR.**

El uso correcto y el mantenimiento de producto garantizarán una larga duración del producto y un rendimiento óptimo. Si necesita más información o asistencia, no dude en contactarnos. Gracias nuevamente por elegir nos y buen trabajo!

GAMMA & BROSS

Gamma&Bross SpA, via Mazzini, 62/E - 46043 Castiglione d/Stiviere (MN) www.gammabross.com

NELSON MOBILIER

Nelson Mobilier, 11 Avenue Louis Blériot C.S 40031 Chassieu Rhône 69687 (France) www.nelson-mobilier.com

Condizioni generali di Vendita - General Conditions of Sale

