

# ULTRAWASH BACKWASH

ULTRAWASH BASIC - ULTRAWASH ELECTRIC - ULTRAWASH SHIATSU  
ULTRAWASH Q BASIC – ULTRAWASH Q ELECTRIC – ULTRAWASH Q SHIATSU



## USER'S MANUAL

ORIGINAL INSTRUCTIONS

Read carefully the instructions specified in this booklet  
before using the backwash

G A M M A & B R O S S <sub>S p A</sub>

**GAMMA & BROSS**  
Via Mazzini, 62/E  
46043 Castiglione delle Stiviere (MANTOVA) - ITALIA

THE PROPERTY RIGHTS OF THIS BOOKLET ARE RESERVED. ITS REPRODUCTION  
OR TRANSMISSION TO THIRD PARTIES IS FORBIDDEN WITHOUT THE AUTHORISATION OF THE OWNING COMPANY. THE  
POWER TO PROTECT ITS RIGHTS IS RESERVED AND OFFENDERS SHALL BE PROSECUTED.

# INDEX

CHAPTER	SECTION	Pag.
CHAPTER 1	DESCRIPTION AND MAIN FEATURES:	03
1.1	INTRODUCTION:	03
1.2	WARRANTY	04
1.3	EXCLUSIONS FROM WARRANTY:	04
1.4	PRODUCT DESCRIPTION	04
1.5	TECHNICAL DATA	04
<b>CHAPTER 2</b>	<b>NORME DI SICUREZZA E PREVENZIONE INFORTUNI:</b>	<b>05</b>
2.1.	LIVELLI DI PERICOLO:	05
2.2	USO IN SICUREZZA:	05
2.3	MANTENIMENTO IN SICUREZZA:	06
<b>CHAPTER 3</b>	<b>TRANSPORT, UNLOADING, ASSEMBLY AND SETTING UP:</b>	<b>06</b>
3.1.	PACKAGING, TRANSPORT AND UNLOADING OF THE EQUIPMENT	06
3.2.	UNPACKING	06
3.3.	INSTALLATION	07
3.4	CONTROLS BEFORE CONNECTION & LAYING	07
3.5	ULTRAWASH : CONNECTION & LAYING	07
3.6	ULTRAWASH SHIATSU : CONNECTION & LAYING	10
<b>CHAPTER 4</b>	<b>INSTRUCTION FOR USE:</b>	<b>11</b>
4.1	WARNINGS BEFORE USE	11
4.2	USING THE WASH FUNCTION	11
4.3	SEAT MOTION REMOTE CONTROL FOR ULTRAWASH ELECTRIC	11
4.4	SEAT MOTION REMOTE CONTROL FOR ULTRAWASH SHIATSU	12
<b>CHAPTER 5</b>	<b>TECHNICAL SCHEME:</b>	<b>13</b>
5.1.	ELECTRICAL LAY-OUT ULTRAWASH	13
5.2	ELECTRICAL LAY-OUT ULTRAWASH SHIATSU	14
5.3	HYDRAULIC LAY-OUT ULTRAWASH – ULTRAWASH SHIATSU	15
<b>CHAPTER 6</b>	<b>CLEANING &amp; MAINTENANCE:</b>	<b>16</b>
6.1	ORDINARY MAINTENANCE	16
6.2	EXTRAORDINARY MAINTENANCE	16
6.3	TECHNICAL ASSISTANCE	16
<b>CHAPTER 7</b>	<b>HINTS FOR WASTE DISPOSAL</b>	<b>17</b>
<b>CHAPTER 8</b>	<b>COMPONENTS' DECLARATION OF CONFORMITY</b>	<b>18-26</b>

# CHAPTER 1

## DESCRIPTION AND MAIN FEATURES

### 1.1 INTRODUCTION

This booklet contains the necessary instructions for installation, proper use and regular maintenance of **ULTRAWASH** wash unit, manufactured by **GAMMA & BROSS** spa in Castiglione delle Stiviere (Mantova) – Italy.

Here the user will find useful information regarding the safe use and proper maintenance of the **ULTRAWASH**



**This booklet is an integral part of the product and must be carefully kept in a safe place in order to consult it throughout the equipment service life. Copies of this user's manual are available upon request to:**

**GAMMA & BROSS** S.p.A

**GAMMA & BROSS**  
Via Mazzini, 62 / E

**46043 Castiglione delle Stiviere (MANTOVA) - ITALIA**

The observance of and compliance with the instructions herein contained ensure the operator's safety and **ULTRAWASH** correct operation, low running costs and lifetime. It is compulsory to comply with the instructions in this booklet.



**GAMMA & BROSS shall not be held responsible for any damages, direct or indirect, caused to people, animals or objects resulting from negligence or non-compliance with the instructions contained herein.**

### 1.2 WARRANTY

**GAMMA & BROSS** guarantees **ULTRAWASH** and its accessories for a 12-month period from the purchase date. This warranty is understood as repair or replacement free of charge of those parts which, after a careful examination carried out by the Manufacturer Technical Service, are considered faulty, with the exception of all the electrical parts. Warranty is limited to defects on materials, and it ceases whenever the parts involved are tampered with or dismantled by unauthorised personnel. Responsibilities for direct or indirect damage to people, animals or things caused by failures or malfunctions of the equipment are excluded from the warranty. Expenses for transportation, VAT and others not specified in the supply agreement shall be charged to the buyer. The replacement or repair of warranted materials does not extend the warranty period.

The buyer shall have the right to exert his/her warranty rights only if the warranty terms and conditions specified in the supply agreement have been fulfilled. Whenever the parties do not intend to solve the controversies arising from the supply agreement in an arbitral award or in case a decision is requested to an ordinary Court, only the Court of Mantova shall have territorial jurisdiction.

### 1.3 EXCLUSIONS FROM WARRANTY

Upon delivery, it is necessary to check that the equipment has not been damaged during transportation and that the set of accessories is complete and in good condition. Claims must be filed within 8 days after the delivery of the **ULTRAWASH**. Apart from the cases specified in the supply agreement, **the warranty is void when:**

- The malfunctioning is attributable to the operator.
- The instructions in this booklet are not followed.
- The **ULTRAWASH** has suffered changes after repair operations performed by a third party unauthorised by **GAMMA & BROSS**.

### 1.4 PRODUCT DESCRIPTION

L' **ULTRAWASH** is manufactured in six (6) versions: **ULTRAWASH BASIC, ULTRAWASH ELECTRIC – ULTRAWASH SHIATSU – ULTRAWASH Q BASIC, ULTRAWASH Q ELECTRIC – ULTRAWASH Q SHIATSU**

#### **ULTRAWASH BASIC – Q BASIC:**

this model consists of a chair in polyurethane foam covered with a vinyl upholstery, with a vitreous china sink. It is equipped with a system that permits the positioning of the sink at the nape of the client's neck through a tilting movement. The backwash is manufactured on a robust zinc-coated tropicalized steel frame, which provides the structure with the strength to carry the total weight necessary.

#### **ULTRAWASH ELECTRIC - ULTRAWASH Q ELECTRIC:**

this model consists of a chair in polyurethane foam covered with a vinyl upholstery, with a vitreous china sink. It is equipped with a system that permits the positioning of the sink at the nape of the client's neck through a tilting movement. The backwash is manufactured on a robust zinc-coated tropicalized steel frame, which provides the structure with the strength to carry the total weight necessary. In addition, this model is equipped with mechanical devices that are able to raise the leg rest and place the client in an excellent position for relaxation.

#### **ULTRAWASH SHIATSU – Q SHIATSU:**

this model consists of a chair in polyurethane foam covered with a vinyl upholstery, with a vitreous china sink. It is equipped with a system that permits the positioning of the sink at the nape of the client's neck through a tilting movement. The backwash is manufactured on a robust zinc-coated tropicalized steel frame, which provides the structure with the strength to carry the total weight necessary. In addition, this model is equipped with mechanical devices that are able to raise the leg rest and place the client in an excellent position for relaxation.

A massaging air mat is placed inside the chair, which provides a delicate pneumatic massage for the entire length of the legs and back.

By means of the AIR-SHIATSU system it is possible to choose the sequential massage mode or the random one. Moreover, it is possible to adjust the massage intensity level

### 1.5 TECHNICAL DATA

Chart N°1

<b>ULTRAWASH BASIC – Q BASIC</b>	<b>Unit of measurement</b>	
Net weight	kg	68
Height:	mm	Basic 950 – Q basic 930
Length:	mm	Basic 1240 – Q basic 1300
Width:	mm	710
3 bar water capacity	liters	9 per minute
Operating pressure	Bar	Min.0,5 / max 10
Package dimensions	cm	90x140x118h
Gross weight	Kg	160

Chart 2.

ULTRAWASH ELECTRIC – Q ELECTRIC	Unità di misura	
Net weight	kg	68
Height:	mm	Basic 950 – Q basic 930
Length:	mm	Basic 1520 – Q basic 1580
Width:	mm	710
Installed electric power:	W	130
Electrical supply tension/frequency:	V / Hz	220/230 - 50
3 bar water capacity	liters	9 per minute
Operating pressure	Bar	Min.0,5 / max 10
Package dimensions	cm	90x140x118h
Gross weight	Kg	160

Chart 3.

ULTRAWASH SHIATSU – Q SHIATSU	Unità di misura	
Net weight	kg	68
Height:	mm	Basic 950 – Q basic 930
Length:	mm	Basic 1520 – Q basic 1580
Width:	W	180
Installed electric power:	V / Hz	220/230 - 50
Electrical supply tension/frequency:	liters	9 per minute
3 bar water capacity	Bar	Min.0,5 / max 10
Operating pressure	cm	90x140x118h
Package dimensions	Kg	160

## CHAPTER 2

### SAFETY REGULATIONS AND ACCIDENT PREVENTION

#### 2.1 DANGER LEVELS

The operator's safety is the manufacturer's main concern, and therefore all possibility dangerous situations and risks connected with use are to be avoided by adopting the opportune precautions to render usage safer. It is recommended to carefully read this booklet, and this section in particular, to avoid inopportune behavior that conflicts with the instructions contained in this booklet:



**DANGER: Carefully read the following regulations. Those who do not apply the following regulations may be subject to damages or may cause damages to people, animals or things. GAMMA & BROSS declines any and all responsibility for direct or indirect damages caused by the disregard for the safety regulations and accident prevention procedures described below.**

#### 2.2 SAFETY IN USE

When the **ULTRAWASH** is in use, it is mandatory to follow the instructions described below:

- **It is prohibited** to operate the **ULTRAWASH** by anyone who has not completely read, understood and perfectly assimilated the information contained in this booklet.
- **It is prohibited** to operate the **ULTRAWASH** by persons that are not adequately trained or that are not in good health.
- **It is prohibited** to operate the **ULTRAWASH** when the safety devices are not inserted and the fixed protections are removed.
- Before using, **it is mandatory** to control the perfect integrity of all the safety devices on the **ULTRAWASH**.

- **It is mandatory** that the installation and mounting of the **ULTRAWASH** be executed in accordance with the instructions outlined in this booklet.
- **It is mandatory** to position the **ULTRAWASH** inside a place that is closed, covered, clean, sufficiently lighted, temperature regulated, and not exposed to dust, humidity, and is free of the danger of explosion or fire.
- **It is mandatory** to verify that the support surface beneath the **ULTRAWASH** is flat and solid.
- **It is recommended** to become familiar with the command devices before using.
- **It is recommended**, in case of malfunctioning, to always contact the Manufacturer, avoiding unauthorized interventions.
- The use of accessories provided by the Manufacturer **is permitted**.

## CHAPTER 3

### TRANSPORT, UNLOADING, ASSEMBLY AND SETTING UP

#### 3.1 PACKAGING, TRANSPORT AND UNLOADING OF THE EQUIPMENT

All the material is carefully inspected by the manufacturer before shipping.

The packaging method is defined with the client in relation to the distance and chosen shipping method. **ULTRAWASH** is transported inside a package, protected by a sack made of plastic (nylon airball) to avoid any direct contact with humidity and/or dust, and is inserted into a box or crate of a size that impedes any horizontal or vertical movement.

The label attached to the outside of the package contains the following information:

- Manufacturer's address
- Recipient's address

When receiving **ULTRAWASH**, make sure that the equipment has not been damaged during transport, that the packaging has not been tampered with, and that nothing has been removed from the package. In case there is damage to the equipment or missing parts, immediately inform the carrier and the manufacturer, and provide for photographic documentation.

Two people are necessary to lift the parts of the **ULTRAWASH** that are contained the package. If lifting machinery is used, it is necessary to verify the correct balancing of the package until it is entirely lifted up, proceeding with continuity and without any jerks or stops.

Keep the load as low as possible during movement, both for better stability of the load, and for better visibility. The manufacturer is not responsible for any damages during transport of the **ULTRAWASH**

#### 3.2 UNPACKING

Place the packaged equipment as close as possible to the desired installation area and remove the parts from the package. If the packaging is in paper it is necessary to recycle it as required by local waste disposal regulations. If the package is made of plastic material (nylon airball), do not burn it or throw it away, but dispose of it in the appropriate waste collection location in accordance with local regulations. The packaging elements can be dangerous and must not be left within children's reach.

#### 3.3 INSTALLATION

The operations for the installation of **ULTRAWASH** are described below. Before installation, control the integrity and completeness of the equipment.



**The installation and regulation of ULTRAWASH includes dangerous operations: these operations must be performed by qualified and responsible personnel. Carefully read the instructions outlined in this handbook: GAMMA & BROSS declines any and all responsibility for damages caused by the disregard for these instructions**

### 3.4 CONTROLS BEFORE CONNECTION & LAYING (versions BASIC - ELECTRIC - Q BASIC - Q ELECTRIC)

Before assembling **ULTRAWASH**, it is better to control and eventually adjust implants in the installation location and to observe the following rules:

- Control the operating tension and frequency: these must correspond to the tension and frequency of the existing supply network in the location. The electrical equipment normally operates at a tension of 230 volts, 50-hertz frequency.
- Check the status of the supply cable conductors and the ground conductor.
- Control that an automatic interruption device against overloads with a cutout switch is installed.
- **Connect the equipment's cable to the electrical socket with maximum care and in accordance with current regulations.**
- The presence of power surges and equipment that creates electro-magnetic interference could damage the electronic parts of **ULTRAWASH**.



It is prohibited to connect the electrical equipment directly to conductors of the location's power supply system: a breakdown in the power supply system could cause irreparable damage to the **ULTRAWASH** and grave injuries to anyone who is in contact with the shampoo system.

### 3.5 ULTRAWASH – BASIC MODEL: CONNECTION & LAYING (versioni BASIC – ELECTRIC - Q BASIC - Q ELECTRIC )

- 1) Remove the **ULTRAWASH** and any packaging with maximum care and proceed to position the sink in the desired location
- 2) Unscrew the steel structure from the base panel.
- 3) Once the sink is positioned properly , remove the aluminium front cover, placed underneath the seat, by unscrewing the fixing bolts, extract the feeding cable out of the leg-raise control box and connect to the provided electric socket flush to the floor (fig.1 -2)

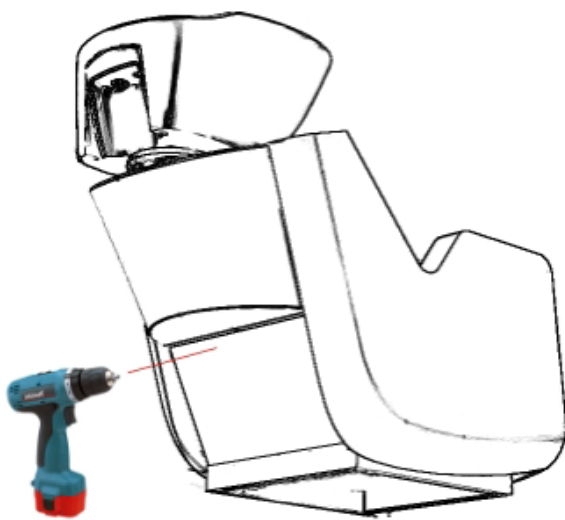


Fig.1

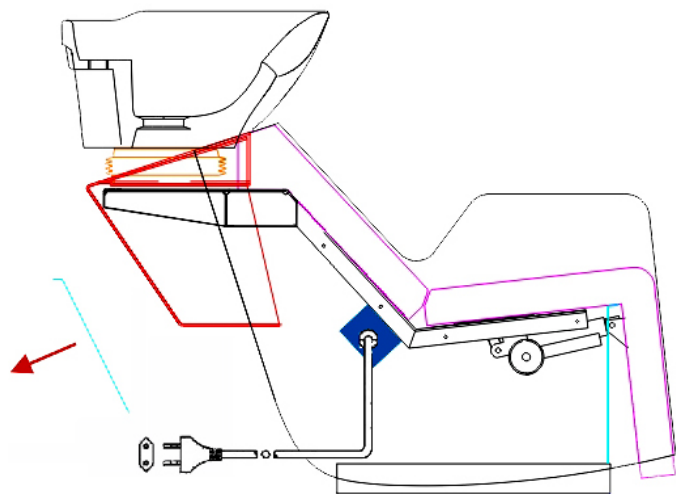


Fig.2



The aluminum cover and the metallic parts of the levers and frame can be sharp: use protective gloves.

4) Operate the remote control for leg raise and lift it up completely. Disassemble the front aluminium panel, paying attention to avoid scratches on the vinyl leather upholstery. ( Fig.3)

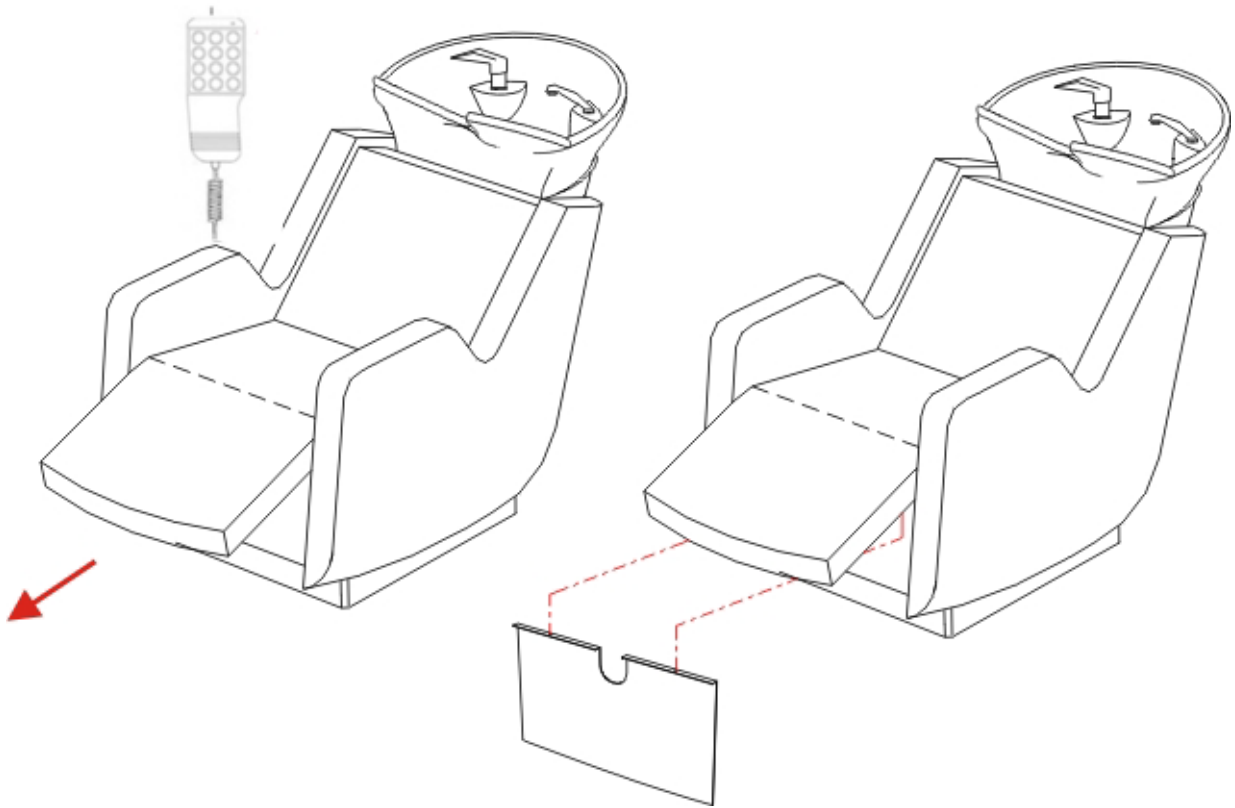


Fig.3

5) Firmly mount the structure to the floor with the appropriate anchoring blocks, or if the floor is not sufficiently compact, with a chemical anchoring agent (not provided) (fig. 4)

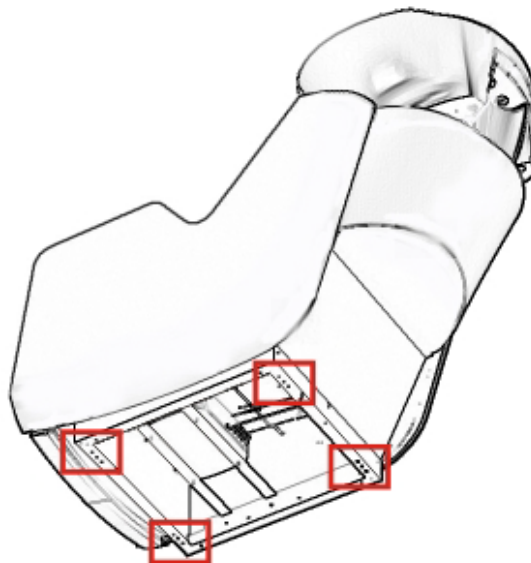


Fig.4



**WARNING: Before attaching the taps, it is mandatory to clean out the hydraulic implant to avoid that residual sand and impurities clog the taps and damage the sophisticated ceramic mixers.**

- 6) Proceed with the hydraulic connections, making sure to verify the easy movement of the sink with its maximum range of tilting.(fig.5)

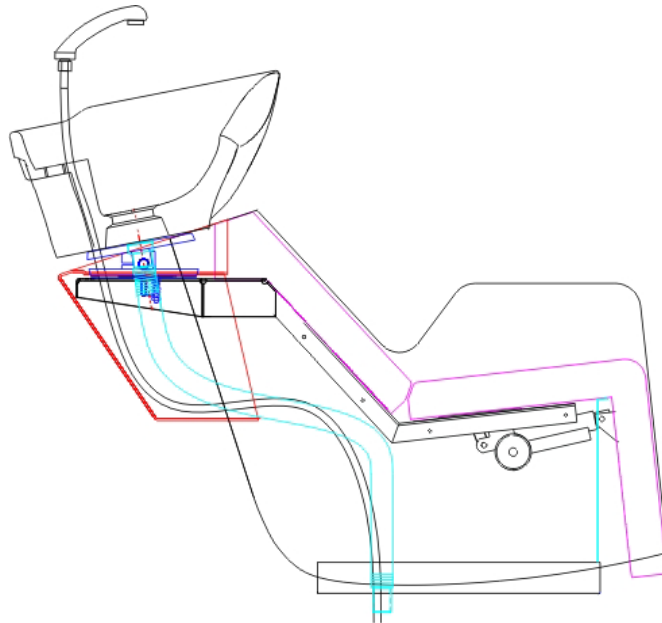


Fig.5



**Never lay down on floor electric connections & sockets.**

**Carefully check that all the electrical cables are perfectly fasten to the steel structure and that they do not interfere with any of the chair's movements, which could cause them to be jerked or damaged, provoking grave injuries to persons and irreparable damages.**

- 6) Re- Assemble the front cover, replace the screws that were previously removed.



**Verify the exact position to make sure that the levers do not touch the covering during movement**

### 3.6 ULTRAWASH : CONNECTION & LAYING (SHIATSU – Q SHIATSU model)



In the Shiatsu version, do not ever force the opening of the backrest to avoid the misplacement of the pneumatic equipment's tubes, and never pull the ribbon on the tubes to avoid removing them from the compressor or, even worse, from the internal massaging panel in the seat.

9) Once the sink is positioned properly, remove the aluminium front cover, placed underneath the seat, by unscrewing the fixing bolts, extract the feeding cable out of the leg-raise control box. Pull out the cable with the Schuko plug, coming out of the AIR SHIATSU MASSAGE control box. Connect the 2 different cables to the provided electric socket flush to the floor, (fig.6)

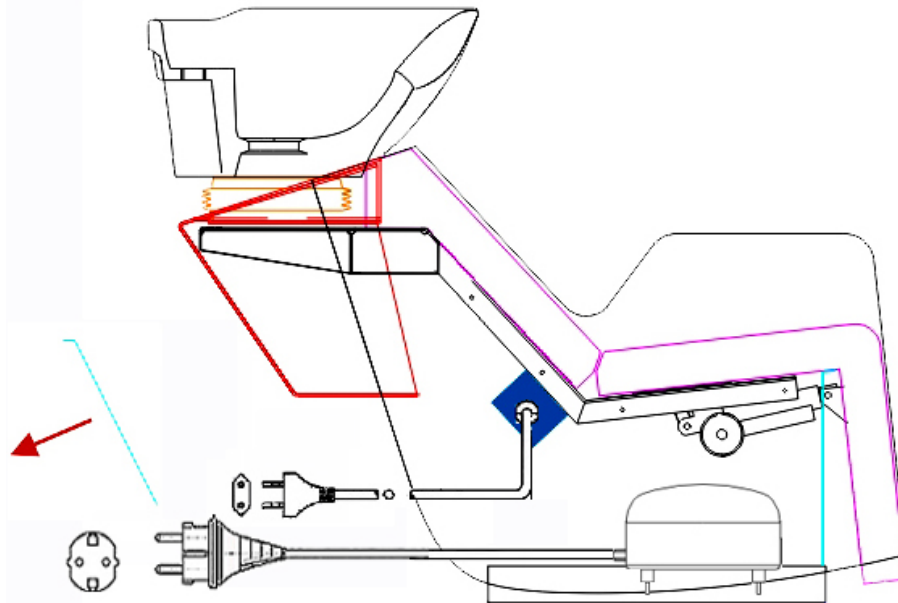


Fig.6

## CHAPTER 4 INSTRUCTION FOR USE

### 4.1 WARNINGS BEFORE USE

- Do not sit on the leg rest for any reason when the leg rest is lifted up and the chair is in relax position.
- The shiatsu massage must be switched on only and exclusively when the chair is in the relax position.
- The electronic switchboard of the shampoo system might be affected by malfunctions if there are power surges or electro-magnetic interference, which can be caused by hair dryers or other equipment that is not adequately protected.

### 4.2 USING THE WASH FUNCTION

Before operating the **ULTRAWASH**, check the efficiency of the equipment and train yourself with the command devices.

The sink can be positioned manually with precision at the nape of the client's neck by using the two regulation systems:

The chair's movements and massage are activated and controlled through the remote control.

The instructions for use of the various commands provided with the different models are listed below.

### 4.3 SEAT MOTION REMOTE CONTROL FOR ULTRAWASH ELECTRIC

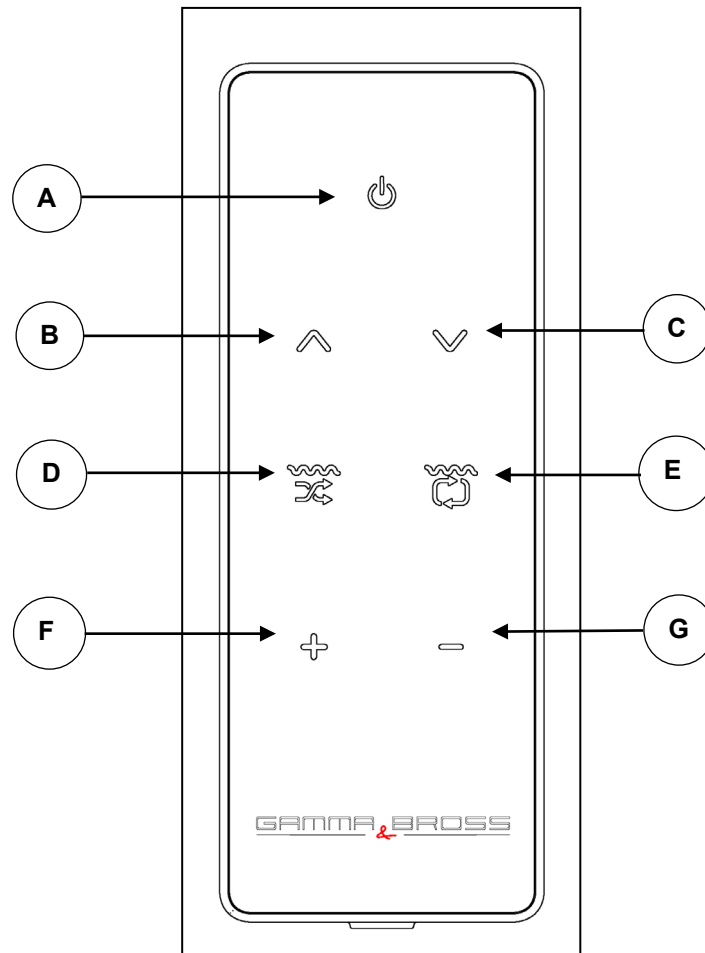
List of functions:

- Button **A**: Lift up the seat & the leg rest in relax position
- Button **B**: collapse down the seat & the leg rest .



#### 4.4 “TOUCH SENSITIVE” REMOTE CONTROL FOR SEAT MOVEMENT AND SHIATSU MASSAGE - ULTRAWASH

The touch-sensitive remote control comes with its own dedicated power supply. If your shampoo basin uses this remote control, you'll need to provide a dedicated socket or a power strip between the electrical outlets to power the remote control.



##### Seat motion & massage control list::

- **Button A:** switch on and off the massage
- **Button B:** Lift up the the seat & the leg rest in relax position
- **Button C:** Bring down the seat & the leg rest
- **Button D:** the air flow inflates the air chambers with a random sequence
- **Button E:** the air flow inflates the air chambers in order
- **Button F:** Increases the intensity of the massage
- **Button G:** Decrease the intensity of the massage
- **Back - lighting:** the symbols on the remote control light up when the corresponding function is activated

**WARNING:** when turning off the massage function, wait a few seconds before bringing the chair into the sitting position to allow the mattress to totally deflate.

# CHAPTER 5

## TECHNICAL SCHEME

### 5.1 ELECTRICAL LAY-OUT ULTRAWASH

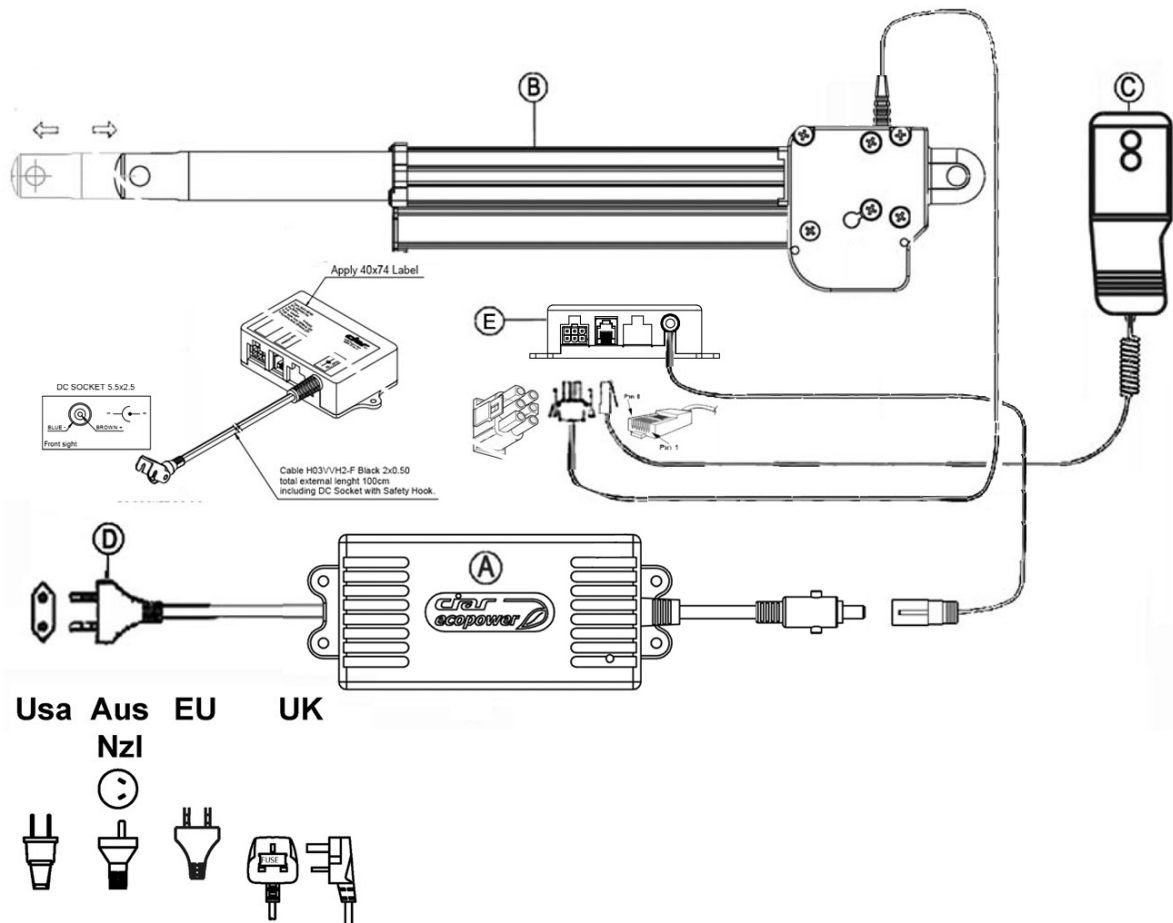
**A) CONTROL BOX FOR ELECTRIC MOTOR PS12**  
 Switching 100-240 Vac 50 – 60 Hz 110W  
 Duty cycle 2 min  
 Pause 5 min.

**B) ELECTRIC LINEAR MOTOR LM 35\_04**  
 24 DC / 4.2 A 6000 N  
 Duty cycle 2 min  
 Pause 5 min.  
 Protection Grade: IP30

**C) 2- BUTTONS REMOTE**  
 12 Vdc  
 phone wire 4 poles, 8 – pins plug RJ45

**D) CEE 7/16 EUROPLUG**  
 feeding cable with USA - Aus - UK plug  
 on demand

**E) POWER SUPPLY SU03\_M2/M1**  
 29 Vdc  
 Duty cycle 1 min ON / 8min OFF  
 Duty cycle 1 min ON / 5 min OFF



## 5.2 ELECTRICAL LAY-OUT ULTRAWASH SHIATSU – Q SHIATSU

**A) CONTROL BOX FOR ELECTRIC MOTOR PS12**  
Switching 100-240 Vac 50 – 60 Hz 110W  
Duty cycle 2 min  
Pause 5 min.

**B) ELECTRIC LINEAR MOTOR LM 35\_04**  
24 DC / 4.2 A 6000 N  
Duty cycle 2 min  
Pause 5 min.  
Protection Grade: IP30

**C) 7- BUTTONS REMOTE CONTROL**  
12 Vdc.  
phone wire 4 poles, 8 – pins plug RJ45

**D) POWER SUPPLY SU03\_M2/M1**  
29 Vdc  
Duty cycle 1 min ON / 8min OFF  
Duty cycle 1 min ON / 5 min OFF

**E) SHIATSU AIR MASSAGE SYSTEM**  
Pneumatic Pump 40W 13V / 2.5A  
50 – 60 Hz

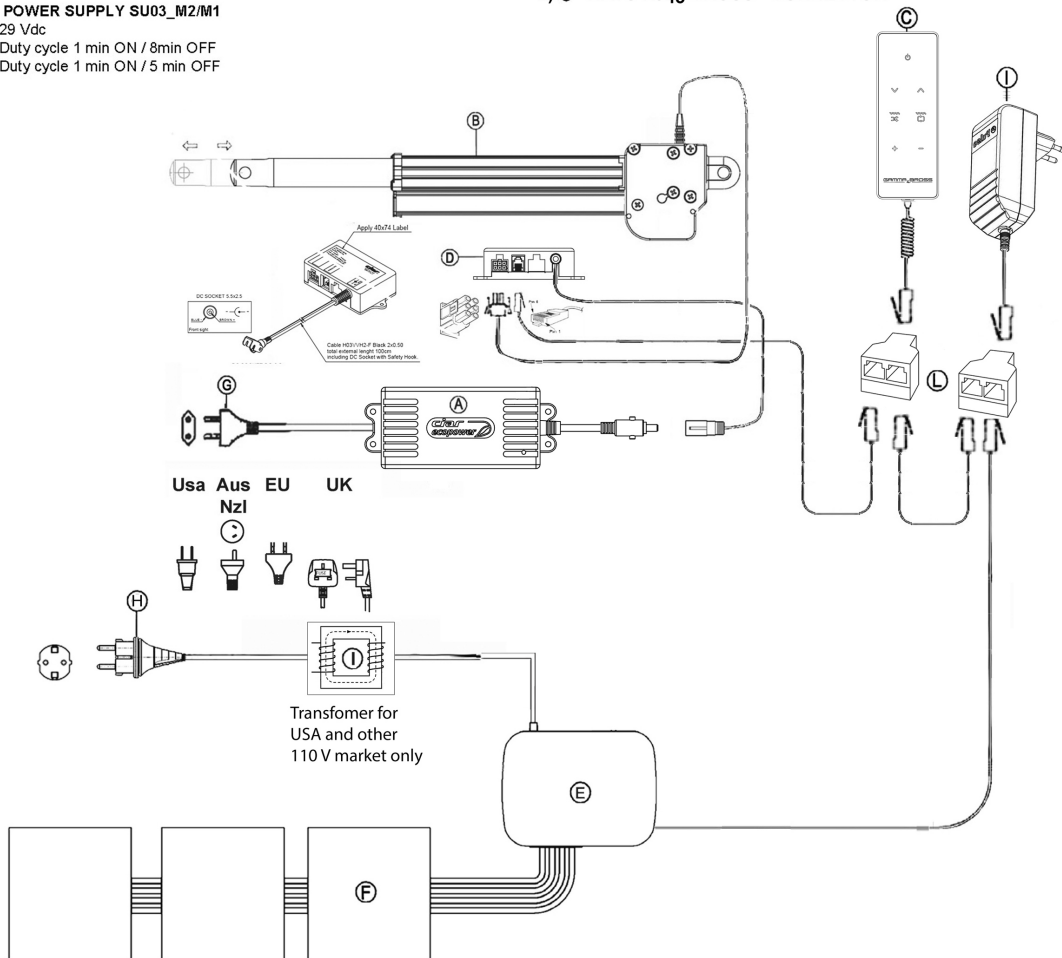
**F) AIR INFLATED MAT**

**G) CEE 7/16 EUROPLUG**  
feeding cable with USA - Aus - UK plug  
on demand

**H) CEE 7/4 SHUCKO PLUG**

**I) 5V DC POWER SUPPLY FOR REMOTE CONTROL FEEDING**

**L) 3- WAYS RJ45 CROSS - CONNECTOR**



### 5.3 HYDRAULIC LAY OUT ULTRAWASH

**MIXER + SHOWER MOD. GM502.020 ECOMIX GAMOX**

Testing pressure 15 bar

**MIXER + SHOWER MOD. GM509.020 STANDARD U.S.A. GAMOX**

Testing pressure 15 bar

**USE LIMIT UNI 10234 EN (817)**

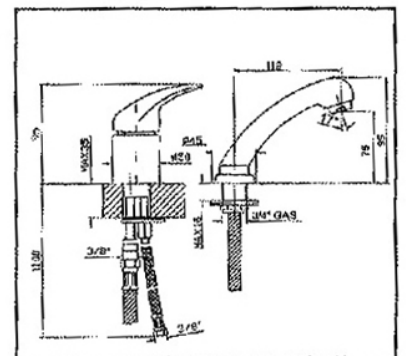
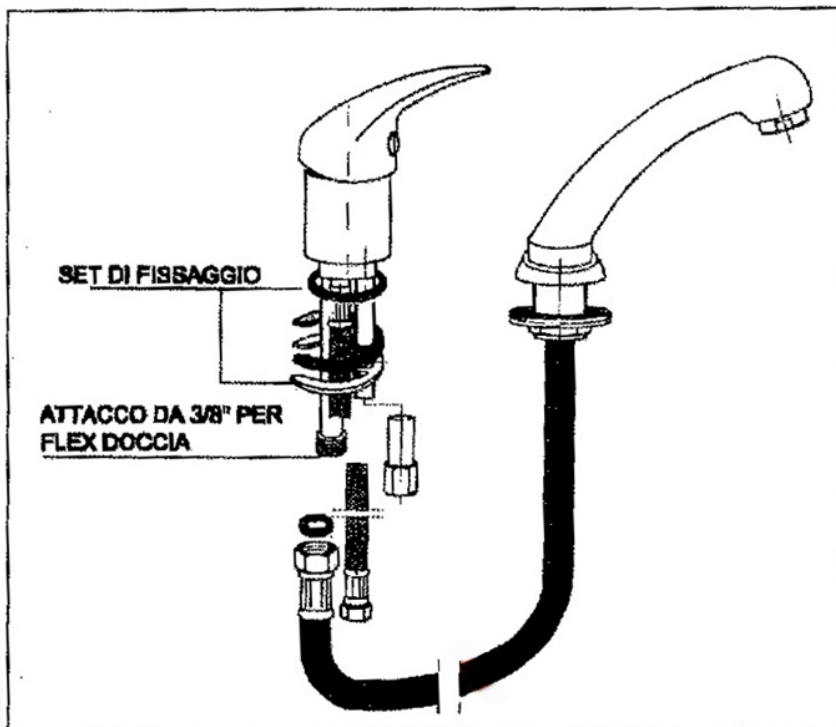
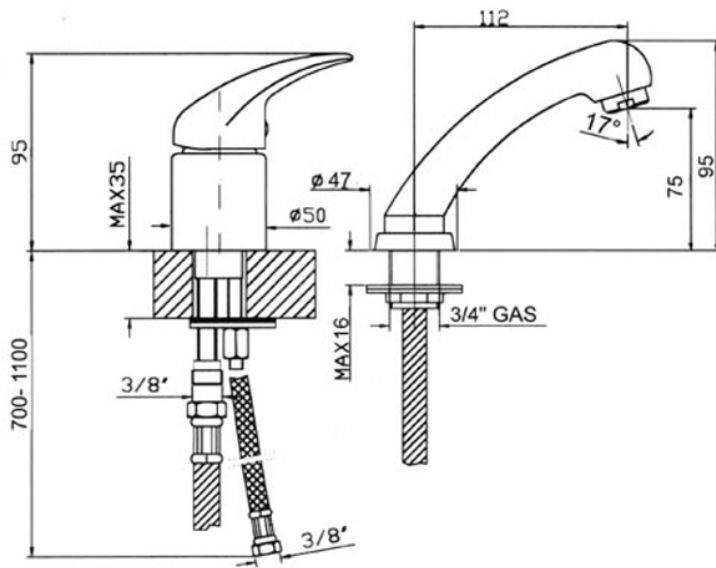
Pressure MIN 0.5 bar MAX 10 bar

Temperature MAX 90°.

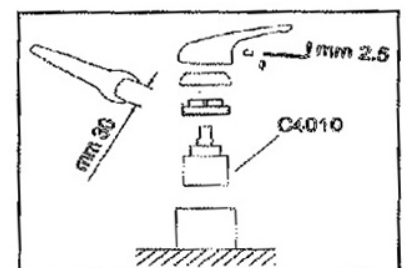
**SUGGESTED USE LIMIT FOR CORRECT WORKING**

Pressure MIN 0.5 bar MAX 5 bar

Temperature MAX 65°



**MANUTENZIONE**



## CHAPTER 6

### CLEANING AND MAINTENANCE

#### 6.1 PLANNED MAINTENANCE

To guarantee efficiency of the **ULTRAWASH** over time and its correct functioning, it is necessary to follow the instructions outlined below.

- The cleaning of the ceramic sink, plastic base and taps must be performed regularly with water and suitable commercial products containing neutral detergents.
- The use of solvents, acids and abrasive detergents is strictly prohibited.
- The use of metallic scrubbers or other abrasive sponges is strictly prohibited.
- Hair color stains must be immediately removed to avoid that they permanently stain the surface of the sink.
- Immediately remove hair and residual material to avoid the drain trap and drain.
- Periodically clean the drainpipe of the plumbing implant (not provided).
- Periodically clean the showerhead aerator by unscrewing it from its seat. Replace it if it is too clogged or encrusted with hard water deposits.



**WARNING: Commercial hard water deposit removal products contain solvents and acids that corrode chrome-plated surfaces, and are hazardous to your health through inhalation and contact.**

- The surface of the chair must be regularly cleaned with a soft cloth or sponge, water and neutral detergent.
  - The use of solvents, acids, detergents or abrasive materials is strictly prohibited. These substances would harm the superficial protection of the eco leather, compromising its resistance to stains.
  - Strict avoid staining the chair with hair color: it is impossible to remove hair color stains.
- In case of accidental staining, remove the material as soon as possible to avoid further damage.

#### 6.3 EXTRAORDINARY MAINTENANCE:

Extraordinary maintenance operations (component repairs, cleaning of the internal parts) can only be performed by specialized personnel that are authorized by the Manufacturer. Interventions on the electrical implant are considered to be extraordinary, as they require specialized personnel.



**It is mandatory to remove the plug from the electrical socket before attempting any extraordinary maintenance operation.**

#### 6.4 TECHNICAL ASSISTANCE:

Maintenance must be performed in accordance with the instructions contained in this manual. For all cases not described herein and for any type of assistance, contact the Manufacturer directly and provide the following information:

- **Model**
- **Client reference**
- **Order number or D.D.T.**
- **The date of delivery**

The correct information guarantees rapid and precise response.

If the maintenance operations on the **ULTRAWASH** are not performed in accordance with the provided instructions, with non-original spare parts or without the written authorization of the Manufacturer, or in any way compromises its integrity or modifies its characteristics, **GAMMA & BROSS** will not be held responsible

for the safety of persons and the malfunctioning of the **ULTRAWASH**. Any unauthorized intervention renders the warranty conditions null and void.

## **CHAPTER 7**

### **HINTS FOR WASTE DISPOSAL**

At the end of the product service life, its disposal must be carried out taking into account the environment conservation following specific regulations.

It is recommended to dispose of the product in the corresponding ecological areas.

It is recommended to strictly follow the regulations in force regarding separate collection.

## CHAPTER 8 DECLARATIONS OF CONFORMITY

**GAMMA & BROSS** S.p.A.

VIA MAZZINI, 62/E - 46043 CASTIGLIONE DELLE STIVIERE (MN) ITALY  
PH. +39 0376 632630 - FAX +39 0376 636683  
Cap. Soc. € 765.000 - www.gammabross.com  
REA 158093 - Cod. Fisc. e Part. IVA IT 01431270204



### CE – DECLARATION OF CONFORMITY

**MANUFACTURER:** Gamma & Bross S.p.A.  
Via Mazzini, 62/E  
46043 Castiglione delle Stiviere (MN)  
ITALY

**EQUIPMENT:** Art. GSUW003 ULTRAWASH mod.BASIC  
Art. GSUW002 ULTRAWASH mod.ELECTRIC  
Art. GSUW001 ULTRAWASH mod.SHIATSU

Is herewith confirmed that the summentioned products comply with the requirements set out in the Council Directive, the following Standards were applied:

**2014/30/UE** Directive 2014/30/EU of the European Parliament and of the Council of 26 February 2014 on the harmonisation of the laws of the Member States relating to **ELECTROMAGNETIC COMPATIBILITY -EMC** (recast)

**2014/35/UE** Directive 2014/35/EU of the European Parliament and of the Council of 26 February 2014 on the harmonisation of the laws of the Member States relating to the making available on the market of electrical equipment designed for use within certain voltage limits (recast) – **LOW VOLTAGE DIRECTIVE - LVD**

CASTIGLIONE DELLE STIVIERE, 20/04/2016

LEGAL REPRESENTATIVE SIGNATURE

**GAMMA & BROSS S.P.A.**  
Sede: Via Mazzini, 62/E  
Tel. 0376.632630 • Fax 0376.636683  
46043 Castiglione delle Stiviere (MN)  
Capitale Sociale € 765.000,00 int. vers.  
Reg. Imp. MN e Partita IVA: 01431270204

Legale Rappresentante  
Sig. Giampiero Stuani

THE UNDERSIGNED HEREBY DECLARES THAT THE ABOVE MENTIONED GOODS ARE ENTIRELY IN CONFORMITY WITH THE SUMMENTIONED EEC RULES

Gamma & Bross S.p.A. - via Mazzini, 62/E - 46043 - Castiglione delle Stiviere (MN) - ITALY - Tel. (+39) 0376 632630 - Fax (+39) 0376 636683

The electrical components installed in the shampoo chair **ULTRAWASH** comply with standards as stated in this declaration

**CE DECLARATION OF CONFORMITY - KIT ELECTRIC MOTOR + CONTROL BOX + REMOTE CONTROL**



**DICHIARAZIONE DI CONFORMITÀ CE**

**PRODUTTORE:**

**CIAR SPA  
VIA MOLARONI 3  
61122 BORGO S. MARIA  
PESARO ITALY**

**DESCRIZIONE PRODOTTO:**

Codice Articolo	Descr. Articolo
N500093318	ATT. LM35_04 C.95/CH.237 V2P/24V1P-P/4000N
N500093319	ATT. LM35_04 C.165/CH.314 V2P/24V1P-P/4000N
	Gli attuatori sono forniti in alternativa
N500070126	TRASF. PS10 SWITC./100-240VAC/29VDC 2A/IEC
N500070128	TRASF. PS12 SWITC./100-240VAC/29VDC 2A/IEC
	I trasformatori sono forniti in alternativa
6000120009	PULS. HCU12 2T M1 367/SP4PP/TEL4P/GANCIO
N500081124	ALIM. SU03-M2/M1 CIAR851A
N400010332	CAVO ALIM. SPINA IT2P+IEC-320 C7 2x0,75

CON LA PRESENTE CONFERMIAMO CHE IL SOPRA CITATO PRODOTTO È CONFORME ALLE DISPOSIZIONI DI LEGGE EUROPEE SEGUENTI:

2014/30/EU

DISPOSIZIONE DI LEGGE DEL PARLAMENTO EUROPEO PER L'ALLINEAMENTO DELLE LEGGI DEGLI STATI MEMBRI A PROPOSITO DELLA TOLLERABILITÀ ELETTROMAGNETICA.  
PER TALE KIT SONO RISPETTATE LE SEGUENTI NORME:  
EN 55014-1 prove di emc - emissioni  
EN 55014-2 prove di emc - Immunità  
EN 61000-3-2/3 Norme cogenti per il contenimento delle armoniche e delle fluttuazioni

2014/35/EU

DISPOSIZIONE DI LEGGE DEL PARLAMENTO EUROPEO PER L'ALLINEAMENTO DELLE LEGGI DEGLI STATI MEMBRI A PROPOSITO DELLA "BASSA TENSIONE".  
PER TALE KIT SONO RISPETTATE LE SEGUENTI NORME:  
EN 60335-1: Sicurezza degli apparecchi elettrici d'uso domestico e similare - Sicurezza - Parte 1: Norme generali  
EN 62233 Metodi di misura per campi elettromagnetici degli apparecchi elettrici di uso domestico e similari con riferimento all'esposizione umana

2011/65/EU - 2015/863/EU

DISPOSIZIONE DI LEGGE DEL PARLAMENTO EUROPEO PER LA RESTRIZIONE DI ALCUNE SOSTANZE PERICOLOSE NEI DISPOSITIVI ELETTRICI ED ELETTRONICI

PESARO LI' 08/09/2022

ING. LAMBERTO FABRI

**ciar** S.p.A.  
Via Vincenzo Molaroni, n. 3  
Loc. Borgo S. Maria-61100 PESARO (PU)  
C. F. e Part. IVA 00440110419

QUESTA DICHIARAZIONE CONFERMA LA CORRISPONDENZA DEL MATERIALE ALLE SOPRACITATE NORME .  
NON GARANTISCE LA CORRISPONDENZA DEL MATERIALE ALLE LEGGI DI CONFORMITÀ DEL VOSTRO PRODOTTO DEL QUALE LA NOSTRA FORNITURA È PARTE INTEGRANTE.

The electrical components installed in the shampoo chair **ULTRAWASH** comply with standards as stated in this declaration

**CE DECLARATION OF CONFORMITY -\* KIT AIR SHIATSU MASSAGE**



**VERIFICATION OF COMPLIANCE**

No.: LVD SHES201002040001HSC  
Applicant: Taizhou Beilingte Technology Co., Ltd  
169, East Zhi Jie Road, Ningxi Town, Huang Yan District,  
Taizhou City, Zhejiang, China  
Manufacturer: Same as Applicant  
Product Name: Compressor  
Product Description: Compressor  
Model No.: BLM-20  
Trade Mark: -  
Rating: 220 V - 240 V~; 50/60 Hz; 30 W  
Protection against Electric Shock: Class II  
Degree of Protection: -  
Additional Information: -  
Sufficient samples of the product have been tested and found to be in conformity with  
Test Standard: EN 60335-1:2012 + A11:2014 + A13:2017 + A1: 2019  
+ A14: 2019 + A2: 2019  
EN 62233: 2008  
as shown in the  
Test Report Number(s): SHES201002040001

This Verification of Compliance has been granted to the applicant based on the results of tests, performed by Laboratory of SGS-CSTC Standards Technical Services (Shanghai) Co., Ltd. on sample of the above-mentioned product in accordance with the provisions of the relevant harmonized standards under the Low Voltage Directive 2014/35/EU. The CE marking as shown below can be affixed, under the responsibility of the manufacturer, after completion of an EC Declaration of Conformity and compliance with all relevant EC Directives. The affixing of the CE marking presumes in addition that the conditions in annexes III and IV of the Directive are fulfilled.

Andrew Zhai  
Laboratory Technical Manager  
SGS-CSTC



2020-11-27

Copyright of this verification is owned by SGS-CSTC Standards Technical Services (Shanghai) Co., Ltd. and may not be reproduced other than in full and with the prior approval of the General Manager. This verification is subjected to the governance of the General Conditions of Services, printed overleaf.

Member of SGS Group (Société Générale de Surveillance)



SGS-CSTC Standards Technical Services  
(Shanghai) Co., Ltd.

**VERIFICATION OF COMPLIANCE**

Verification No.: SHEM201000851401HSC  
 Applicant: Taizhou Beilingte Technology Co., Ltd.  
 Address of Applicant: No.169, East Zhi Jie Road, Ningxi Town, Huang Yan District, Taizhou City, Zhejiang Province, China  
 Product Description: COMPRESSOR  
 Model No.: BLM-20  
 Sufficient samples of the product have been tested and found to be in conformity with  
 Test Standards: EN 55014-1:2017  
 EN IEC 61000-3-2:2019  
 EN 61000-3-3:2013+A1:2019  
 EN 55014-2:2015  
 As shown in the  
 Test Report Number(s): SHEM201000851401

This verification of EMC Compliance has been granted to the applicant based on the results of the tests, performed by laboratory of SGS-CSTC Standards Technical Services Co., Ltd. on the sample of the above-mentioned product in accordance with the provisions of the relevant specific standards under Directive 2014/30/EU. The CE mark as shown below can be used, under the responsibility of the manufacturer, after completion of an EU Declaration of Conformity and compliance with all relevant EU Directives.

parlan zhan

Parlam Zhan  
E&E Section Manager

Date: 2020-10-30

Copyright of this verification is owned by SGS-CSTC Standards Technical Services (Shanghai) Co., Ltd. and may not be reproduced other than in full and with the prior approval of the General Manager. This verification is subjected to the governance of the General Conditions of Services, printed overleaf.  
Member of SGS Group (Société Générale de Surveillance)



Unless otherwise agreed in writing, this document is issued by the Company subject to its General Conditions of Service printed overleaf, available on request or accessible at <http://www.sgs.com/en/Terms-and-Conditions> and, for electronic format documents, subject to Terms and Conditions for Electronic Documents at <http://www.sgs.com/en/Terms-and-Conditions/Terms-a-Document.aspx>. Attention is drawn to the limitation of liability, indemnification and jurisdiction issues defined therein. Any holder of this document is advised that information contained hereon reflects the Company's findings at the time of its intervention only and within the limits of Client's instructions, if any. The Company's sole responsibility is to its Client and this document does not exonerate parties to a transaction from exercising all their rights and obligations under the transaction documents. This document cannot be reproduced except in full, without prior written approval of the Company. Any unauthorized alteration, forgery or falsification of the content or appearance of this document is unlawful and offenders may be prosecuted to the fullest extent of the law. Unless otherwise stated the results shown in this test report refer only to the sample(s) tested and such sample(s) are retained for 30 days only.  
Attention: To check the authenticity of testing inspection report & certificate, please contact us at telephone: (86-21) 5897 1443, or email: [CN\\_Support@sgs.com](mailto:CN_Support@sgs.com)

NO.589 West Jindu Road, Songjiang District, Shanghai, China 201612  
中国·上海·松江区金都西路589号 邮编: 201612

(86-21) 51915886 (86-21) 51915878 [www.sgs.com.cn](http://www.sgs.com.cn)  
(86-21) 51915886 (86-21) 51915878 [e.sgs.china@sgs.com](mailto:e.sgs.china@sgs.com)

Member of the SGS Group (SRS SA)



The electrical components installed in the shampoo chair **VIP LOUNGE** comply with the regulations in force in the USA and CANADA and EU COUNTRIES

*VIP LOUNGE shampoo unit complies with:*

- *UL 1647 (Motor operated massage and exercise machines)*
- *CE (EN 60335-1:2012, EN 60335-2-32:2003/A1:2008) Standards.*



**ONLINE CERTIFICATIONS DIRECTORY**

**PGXX2.E194186**  
**Massage and Exercise Machines - Component**

Page Bottom

**Massage and Exercise Machines - Component**

See General Information for Massage and Exercise Machines - Component

**C I A R SPA**

E194186

VIA MOLARONI 3  
LOC BORGIO SANTA MARIA  
61100 PESARO, PU ITALY

**Motor operated massage and exercise machines**, Model MF400.

Models SU40/M2, SU40/M1.

Models SU40/M1/C12, SU40/M2/C12.

Model MF80, MF80/2, MF40/2, MF400/2.

Model SU15/M1, SU15/M2.

Models SU03, SU04M1, SU04M2, SU30M1, SU30M2, SU30M3.

Marking: Company name and model designation.

Last Updated on 2009-04-30

[Questions?](#)

[Print this page](#)

[Notice of Disclaimer](#)

[Page Top](#)

Copyright © 2010 Underwriters Laboratories Inc.®

The appearance of a company's name or product in this database does not in itself assure that products so identified have been manufactured under UL's Follow-Up Service. Only those products bearing the UL Mark should be considered to be Listed and covered under UL's Follow-Up Service. Always look for the Mark on the product.

UL permits the reproduction of the material contained in the Online Certification Directory subject to the following conditions: 1. The Guide Information, Designs and/or Listings (files) must be presented in their entirety and in a non-misleading manner, without any manipulation of the data (or drawings). 2. The statement "Reprinted from the Online Certifications Directory with permission from Underwriters Laboratories Inc." must appear adjacent to the extracted material. In addition, the reprinted material must include a copyright notice in the following format: "Copyright © 2010 Underwriters Laboratories Inc.®"

An independent organization working for a safer world with integrity, precision and knowledge.



Taps installed in the shampoo chair **ULTRAWASH** complies with standards as stated in this declaration  
**CE DECLARATION OF CONFORMITY - TAPS & HYDRAULIC COMPONENTS**



GAMOX S.R.L.  
VIA DELL'IMPRESA, 21/23  
46043 CASTIGLIONE D'ESTIVIERE (MN)  
TEL. +39 0376 636954  
FAX +39 0376 640047

C.F. P. IVA 01962040375  
C.F. SOC. MI 845.861.V  
REG. IMP. MANTOVA 4754289  
R.E.A. MANTOVA N° 204676

01/03/2012	<b>Certificate of conformity</b>	Mod/xx Rev:xx
------------	----------------------------------	------------------

**DECLARATION OF CONFORMITY**  
**Dichiarazione di conformità**

Supplier's  
Costruttore  
Address  
Indirizzo  
GAMOX RUBINETTERIE S.R.L.  
VIA DELL'IMPRESA, 21/23 46043 CASTIGLIONE DELLE STIVIERE (MN)  
ITALY

Product Name  
Nome del prodotto  
MONOCOMANDO COMPLETO CON DOCCETTA  
CARTUCCIA  
DOCCETTA  
SUPPORTO  
MONOCOMANDO SOLO CORPO

Modell  
Modello  
GA509.20  
GM508.20  
GA517.20  
MA510.20  
ST700.20

Con la presente confermiamo che il sopra citato prodotto è conforme alle disposizioni di legge Europee seguenti:

~~We hereby confirm that the above mentioned product complies with European law following~~

EN 817      rubinetteria sanitaria, monocomandi  
UNI 10234    rubinetteria sanitaria, monocomandi

- Point of contact:
- Contattare:

GAMOX RUBINETTERIE S.R.L.

01/03/2012

ste)

**LUIGI GATTI**

**GAMOX**

**RUBINETTERIE S.R.L.**

Via dell'Impresa, 21/23 - 46043 CASTIGLIONE D'ESTIVIERE (MN)

Tel. +39 0376 636954 - Fax +39 0376 640047

Cod. Fisc. n° 01962040375

Taps installed in the shampoo chair **ULTRAWASH** complies with **IAPMO** regulations in force in the **USA** and **CANADA**  
**IAPMO DECLARATION OF CONFORMITY - TAPS & HYDRAULIC COMPONENTS**

# IAPMO RESEARCH AND TESTING, INC.

5001 E. Philadelphia Street, Ontario, CA 91761 • Phone (909) 472-4100 • Fax (909) 472-4244 • www.iapmort.org



## CERTIFICATE OF LISTING



IAPMO Research and Testing, Inc. is a product certification body in which its product certification system includes inspection and testing of samples taken from the supplier's stock or from the market or a combination of both to verify compliance to the requirements of applicable codes and standards. This activity is coupled with periodic surveillance of the supplier's factory and/or warehouses as well as the assessment of the supplier's Quality Assurance System. This listing is subject to the conditions set forth in the characteristics below and is not to be construed as any recommendation, assurance or guarantee by IAPMO Research and Testing, Inc. of the product acceptance by Authorities Having Jurisdiction.

Issued To:

### GAMOX RUBINETTERIE SRL

VIA DELL'ARTIGIANATO, 8 25010 ACQUAFREDDA (BS) , Italy

Product:

### Plumbing Fixture Fittings

Products are in compliance with the following code(s):

Uniform Plumbing Code (UPC®)  
National Plumbing Code of Canada  
International Plumbing Code (IPC®)  
National Standard Plumbing Code

Products are certified to the following standard(s)

ASME A112.18.1-2018/CSA B125.1-18

File Number: 5526

Effective Date: February 2024

Void After: February 2029\*

  
Chairman, Product Certification Committee



  
Chief Technical Service Officer

\*This certificate is not evidence of current listing. To verify listing status, visit the IAPMO R&T Product Listing Directory at [pld.iapmo.org](http://pld.iapmo.org)

This listing period is based upon the last date of the month indicated on the Effective Date and Void After Date shown above. Any change in material, manufacturing process, marking or design without having first obtained the approval of the Product Certification Committee, or any evidence of non-compliance with applicable codes and standards or of inferior workmanship, may be deemed sufficient cause for revocation of this listing. Production of or reference to this form for advertising purposes may be made only by specific written permission of IAPMO Research and Testing, Inc. Any alteration of this certificate could be grounds for revocation of the listing. This document shall be reproduced in its entirety.

# IAPMO RESEARCH AND TESTING, INC.

## CERTIFICATE OF LISTING



Issued To: GAMOX RUBINETTERIE SRL

Effective Date: February 2024

File Number: 5526

Product: Plumbing Fixture Fittings

Void After: February 2029

This certificate is not evidence of current listing. To verify listing status, visit the IAPMO R&T Product Listing Directory at [pld.iapmo.org](http://pld.iapmo.org)

### Identification:

Plumbing supply fittings shall be marked with the manufacturer's recognized name, trademark, or other mark or, in the case of private labeling, the name, trademark or other mark of the customer for whom the fitting was manufactured. The marking shall be accomplished by use of a permanent mark or by placing a permanent label on the product. Markings on plumbing supply fittings shall be visible after installation.

Showerheads and hand-held showers shall be marked with the manufacturer's specified maximum flow rate, in L/min and gpm.

Kitchen, lavatory, and metering faucets shall be marked with the manufacturer's specified maximum flow rate, in L/min and gpm or L/cycle and gpc.

Single-handle and single-control bath and shower mixing valves shall have their temperature control settings identified alphabetically, numerically, or graphically.

High-efficiency commercial pre-rinse spray valves shall be marked with the manufacturer's specified maximum flow rate, in L/min (gpm).

Listed products shall bear the cUPC® certification mark.

Packaging for plumbing supply fittings shall be marked with the manufacturer's name, trademark, or other mark as well as the model number or, in the case of private labeling, the name, trademark, or mark of the customer for whom the fitting was manufactured as well as the model number.

Packaging for showerheads and hand-held showers shall be marked with the manufacturer's specified maximum flow rate and either the manufacturer's specified minimum flow rate or the statement "For use with automatic compensating valves rated at xxx L/min (yyy gpm) or less", where xxx L/min (yyy gpm) is the manufacturer's specified minimum flow rate.

Packaging for kitchen, lavatory, and metering faucets shall be marked with the manufacturer's specified maximum flow rate, in L/min and gpm or L/cycle and gpc.

### Characteristics:

Fittings may include lavatory, sink, bath & shower, lawn and sediment faucets. Plumbing fixture fittings to be installed in accordance with the manufacturer's instructions and the requirements of the latest edition of the Uniform Plumbing Code and National Plumbing Code of Canada.

Products listed on this certificate have been tested by an IAPMO R&T recognized laboratory. This recognition has been granted based upon the laboratory's compliance to the applicable requirements of ISO/IEC 17025.

# IAPMO RESEARCH AND TESTING, INC.

## CERTIFICATE OF LISTING



Issued To: GAMOX RUBINETTERIE SRL

Effective Date: February 2024

File Number: 5526

Product: Plumbing Fixture Fittings

Void After: February 2029

This certificate is not evidence of current listing. To verify listing status, visit the IAPMO R&T Product Listing Directory at [pld.iapmo.org](http://pld.iapmo.org)

### Models

Model Number	Description
GA509.20	
GA517.20	
MA510.20	
PIBBS565.20	Single control, shampoo faucet with spray head
ST700.20	

# IAPMO RESEARCH AND TESTING, INC.

## CERTIFICATE OF LISTING



Issued To: GAMOX RUBINETTERIE SRL

Effective Date: February 2024

File Number: 5526

Product: Plumbing Fixture Fittings

Void After: February 2029

This certificate is not evidence of current listing. To verify listing status, visit the IAPMO R&T Product Listing Directory at [pld.iapmo.org](http://pld.iapmo.org)

### Additional Company Information

## PIBBS Industries

Model Number	Description
565.20	Single control, shampoo faucet with spray head



**Art. GA509.20**  
**STANDARD - USA**  
 Single lever mixer for hairdresser  
 according to IAPMO standard

